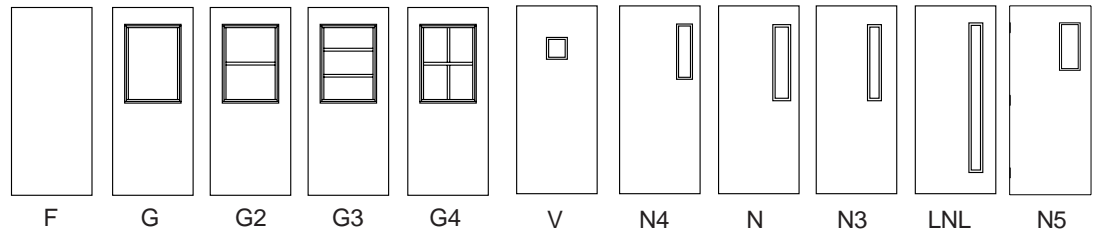


### INDEX

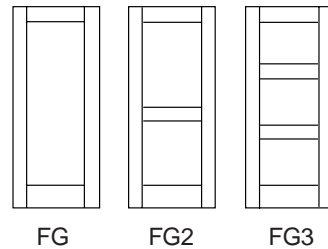
	Spec Sheet
<b>GLASS LITES – GENERAL INFORMATION</b> .....	<b>GL</b>
<b>FLUSH DOOR GLASS LITES – L, B &amp; T-SERIES DOORS</b>	
<b>Vision Lites</b> .....	GLF1
V	
<b>Narrow Lites – Variable Sizes</b> .....	GLF2
N	
LNL	
<b>Narrow Lites – Fixed Sizes</b> .....	GLF3
N3	
N4	
N5	
<b>Half Glass Lites</b> .....	GLF4
G	
G2, G3, G4 and G6	
<b>EMBOSSSED DOOR GLASS LITES – CE-SERIES DOORS</b>	
<b>Half Glass Lites</b> .....	GLE1
<b>Dual Vision Glass Lites</b> .....	GLE2
<b>STILE &amp; RAIL DOOR GLASS LITES – A &amp; AN-SERIES DOORS</b>	
<b>A-Series Doors Glass Lites</b> .....	GLA1
<b>AN-Series Doors Glass Lites</b> .....	GLAN1
<b>SPECIAL GLASS LITES</b>	
<b>Von Duprin INPACT Glass Lites</b> .....	GLS1
<b>LOUVERS NOMENCLATURE</b> .....	
<b>Stamped</b> .....	<b>LVR-2</b>
<b>Inserted</b> .....	<b>LVR-2</b>
<b>Grilles</b> .....	<b>LVR-3</b>
<b>Fusible Link</b> .....	<b>LVR-3</b>



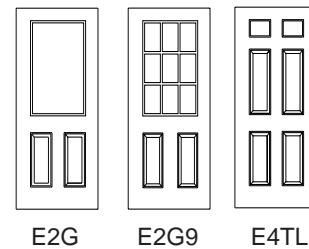
### Full Flush Doors (L, B and T-Series)



### Stile and Rail Doors (A and AN-Series)



### Embossed Panel Doors (CE-Series)



### GLASS LITES:

Steelcraft doors can be specified and supplied with various glass options depending on the architectural and applications needs.

### DOOR (LITE) DESIGNS FOR FULL FLUSH DOORS:

The glass lite configuration is referred to as the door design. Letter designations describe the glass lite designs. A brief description of the standard glass lites available:

- **F – Flush door:** designation for a door without any glass lite installed.
- **G – Half Glass door:** designation for a door with a glass lite located in the top half of the door face. The glass size will vary with the size of the door. However, for special sized doors, the next smaller glass size will be supplied.
- **V – Vision Lite door:** designation for a door with a small square window located in the top of the door. The glass size will remain constant regardless of the door size.
- **N – Narrow Lite door:** designation for a door with a long narrow lite located along the lock edge of the door. The following variations in the Narrow Lite designs are available as standard:
  - N-Lite:** door prepared for a 7½" (191mm) wide glass lite (exposed glass size) which varies in height depending on the door height.
  - N3-Lite:** door prepared for a 3" (76mm) wide and 33" (838mm) high glass lite (exposed glass size).
  - N4-Lite:** door prepared for a 4" (102mm) wide and 25" (635mm) high glass lite (exposed glass size).
  - N5-Lite:** door prepared for a 5" (127mm) wide and 20" (508mm) high glass lite (exposed glass size).
  - LNL-Lite:** door prepared for an 7½" (191mm) wide glass lite (exposed glass size) which extends the majority of the door height, and varies in height depending on the door height.

### DOOR (LITE) DESIGNS FOR CE EMBOSSED DOORS:

Doors with glass cutouts specifically sized to fit into the CE-Series embossed door.

- **E2G:** designation for a door with a half glass lite located in the top half of the door and two embossed patterns in the bottom half.
- **E2G9:** designation for a door with a nine lite design located in the top half of the door and two embossed patterns in the bottom half.
- **E4TL:** designation for a door with dual vision lites located in the top section of the door and four embossed patterns in the lower section.

### DOOR (LITE) DESIGNS FOR A & AN STILE AND RAIL DOORS:

Doors with glass sections specifically sized to fit into the A and AN Stile and Rail door.

- **FG:** designation for a door with a full view window the full height of the door.
- **FG2:** designation for a door with a stationary horizontal mid-rail, dividing the window into two (2) individual lites.
- **FG3:** designation for a door with two (2) stationary horizontal mid-rails, dividing the window into three (3) individual lites.

## GLAZING KIT OPTIONS:

All glass kits covered in this section of the manual include the following glass trim systems:

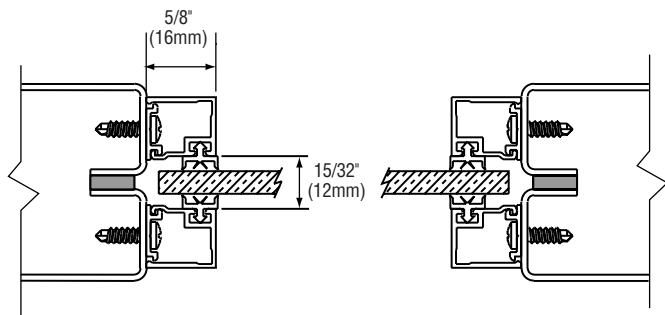
- **Dezigner® trim** – (L, B, CE, and T-Series door constructions) This unique and patented trim is factory supplied recessed into the door face, to provide a neat flush door surface. This trim is designed to accommodate 1/4" (6mm) thick glass, and is available as an option for 1/2" (13mm) thick insulated glass.
- **Snap-on aluminum trim** – (A and AN-Series door constructions) This trim is designed to accommodate 1/4" (6mm) thick glass.
- **Insulated glass trim over 1/2" (13mm) thick** – option and specially designed over lapping steel trim can be supplied for glass thickness over 1/2" (13mm) thick insulated glass.

## WINDOW SIZES AND DESIGNS:

All door lites covered in this section are Steelcraft standards. Special lite sizes and configurations are available when specified.

## GLAZING DETAILS FOR A AND AN-SERIES DOORS:

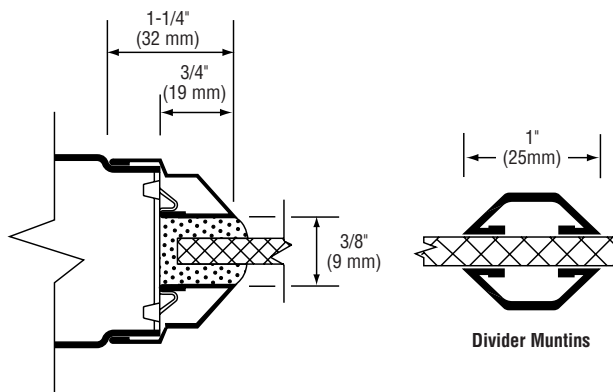
### Standard Aluminum Trim for 1/4" Thick Glass\*



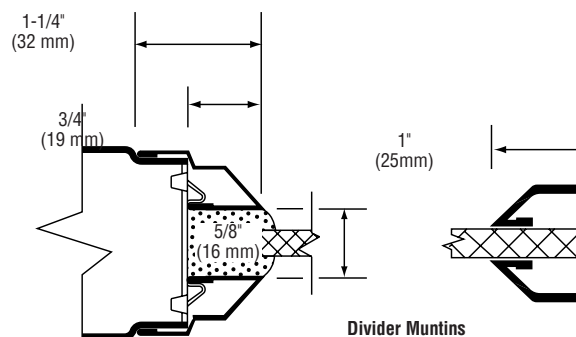
\* Optional dry glazing shown. Additional trim options are available for A and AN-Series doors to support up to 1" thick glass. Please see Spec Sheets GLA1 or GLAN1.

## GLAZING DETAILS FOR L, B, CE AND T-SERIES DOORS:

### Standard Dezigner® Trim for 1/4" Thick Glass



### Optional Dezigner® Trim for 1/2" Thick Insulated Glass



### Optional Overlapping Steel Trim for Insulated Glass Over 1/2" Thick

