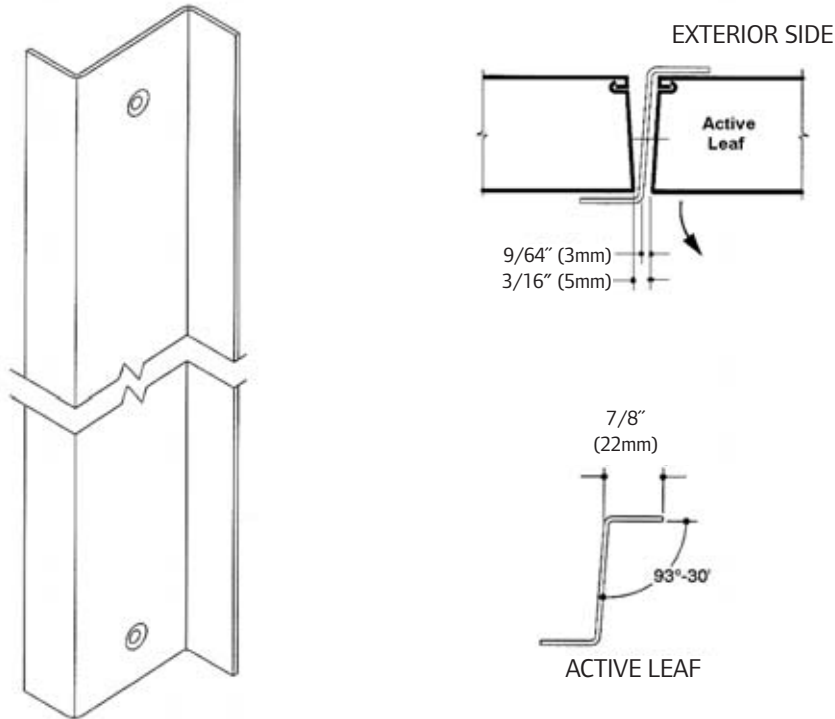


Z ASTRAGAL - Active Leaf Mounting



PURPOSE:

Astragals are used to close the gap between pairs of doors. The astragal seals the opening from weather, light, and in some cases, sound. Security requirements dictate the appropriate application.

APPLICATION:

- This astragal requires a special call-out when ordered.
- This is a handed product; it has the same hand as the active door leaf;
- Shipped loose for field attachment, with the sheet metal screws supplied;

This astragal can not be attached to an inactive door leaf or a double egress door because of the hardware cutouts;

- The lock and strike type being used affects the astragal since cutouts are required for the lock front and strike lip. The notching for the strike lip is done in the field by others.
- The lock front must be shimmed to insure that the lock front seats flush with the astragal.
- This astragal can be used on both fire rated and non-rated doors.

PRODUCT AVAILABILITY:

This product option is available for Steelcraft L, SL, B, T, CE, A, and AN Series doors. See the Fire Rated Products Section for application to Fire Rated doors.