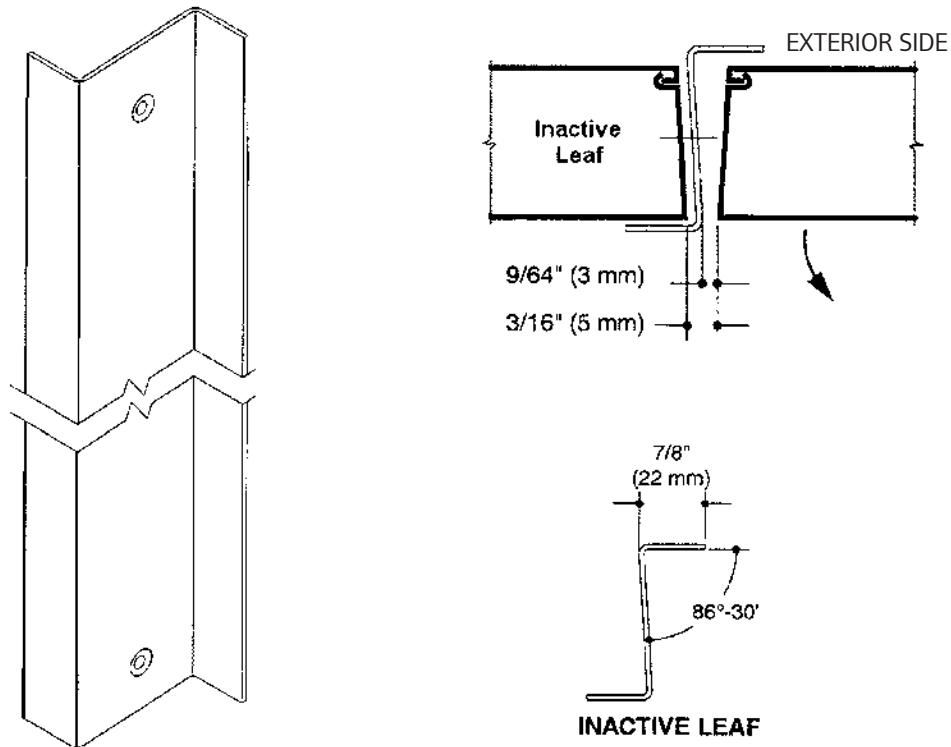


## Z ASTRAGAL - Inactive Leaf Mounting



**PURPOSE:**

Astragals are used to close the gap between pairs of doors. The astragal seals the opening from weather, light, and in some cases, sound. Security requirements dictate the appropriate application.

**APPLICATION:**

- This astragal is normally supplied with pairs of Steelcraft doors.
- This is a handed product; it has the same hand as the inactive door leaf.
- Attachment is made to the inactive door leaf, with the sheet metal screws supplied.
- Shipped loose for field attachment.
- Active Leaf Mounting or Double Egress Mounting, must be called-out separately on the order.
  - The astragal is formed to match the bevel of the door.
  - When mounted to an active leaf or double egress leaf, the astragal forming is reversed.
- This astragal can be used on both fire rated and non-rated doors.

**PRODUCT AVAILABILITY:**

This product option is available for Steelcraft L, SL, B, T, TH, H, HE, PW, RL, A, and AN Series doors. See the Fire Rated Products Section for application to Fire Rated doors.