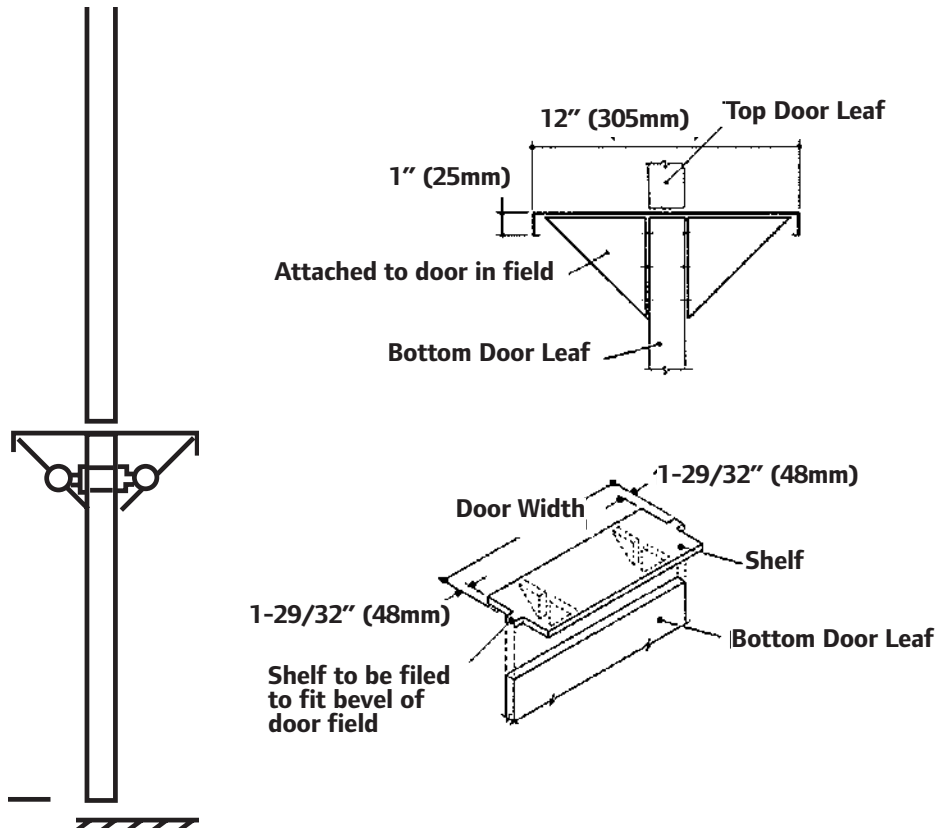


Dutch Door Full Shelf (Non-Label Door)

**APPLICATION:**

Non-labeled Dutch Doors applications

The 12" (305mm) wide 16 gage Full Shelf and brackets for non-labeled doors, or the 7" (178mm) wide Half Shelf and brackets (see TD sheet # 3.3.8) is shipped loose from the factory and is to be field attached to the bottom door leaf with the supplied No. 10 x 3/4" (19mm) Bugle Head Sheet Metal Screws.

PURPOSE:

Dutch door shelves are not supplied with dutch doors unless specified. When the top leaf is opened, the bottom leaf and shelf act as a counter that can be used for multiple uses. If the Dutch Door Shelf (full or half shelf) is not used, the top of the bottom leaf specify a steel top cap installed.

PRODUCT AVAILABILITY:

The Full and Half Shelf can be used on Steelcraft L and B Series non-labeled doors. Shelves are furnished factory prime painted.