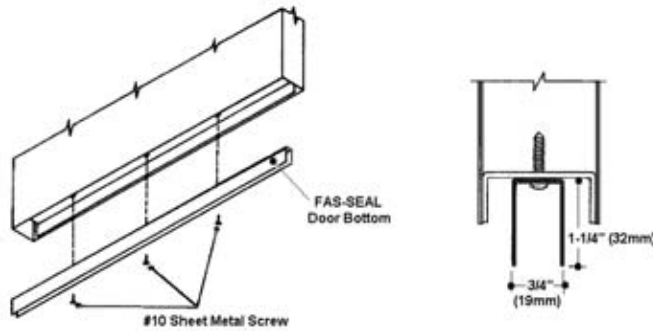


FAS-SEAL' DOOR BOTTOM SWEEP

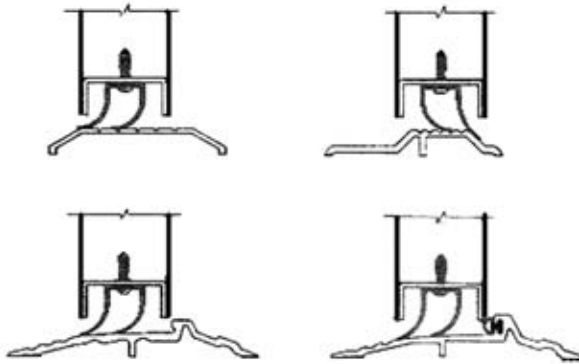
The combination of Steelcraft door, frame, PS074 Weatherstripping, and the FAS-SEAL Door Bottom meets the requirements of NFPA 105, Smoke Control Standard, for both warm, and ambient room temperatures.

The ASTM E283 Air Infiltration Test was conducted on doors with and without a FAS-SEAL Door Bottom. A Non-weatherstripped frame with a 5/8" (16mm) high threshold was used. The results of these tests were:

Without FAS-SEAL8.77 CFM/FT

With FAS-SEAL.....4.71 CFM/FT

- CFM/FT = Cubic Feet Per Minute Per Lineal Foot of Crack
- Tests were conducted by a nationally recognized test and research laboratory.

**PURPOSE:**

The concealed double sealing sweep conforms to sill variances, providing an effective seal. The FAS-SEAL Door Bottom is made from a synthetic material that is impervious to the elements, is capable of withstanding extreme temperatures and is Fire Rated.

APPLICATION:

FAS-SEAL Door Bottoms are installed to the bottom channel with No.10 x 3/4" Pan Head SMS

- Doors sized from 2'-0" (610mm) wide to 3'-0" (914mm) wide: apply 3 screws furnished through the 3 holes provided in the FAS-SEAL Door Bottom into the holes provided in the door bottom channel
- Doors sized from 3'-4" (106mm) wide to 4'-0" (1219mm) wide:
 - apply 4 screws furnished through the 4 holes provided in the FAS-SEAL Door Bottom into holes field drilled by others, or
 - apply 4 No. 10 x 3/4" self-drill and tap screws (by others) through the four holes provided in the FAS-SEAL Door Bottom into holes field drilled by others or by self-drill and tap screws

PRODUCT AVAILABILITY:

Sweeps for doors 2'-0" through 4'-0" in width are available from factory inventory and are used on Steelcraft L, SL, B, T, TH, CE, H, HE, PW, RL, A & AN Series doors.