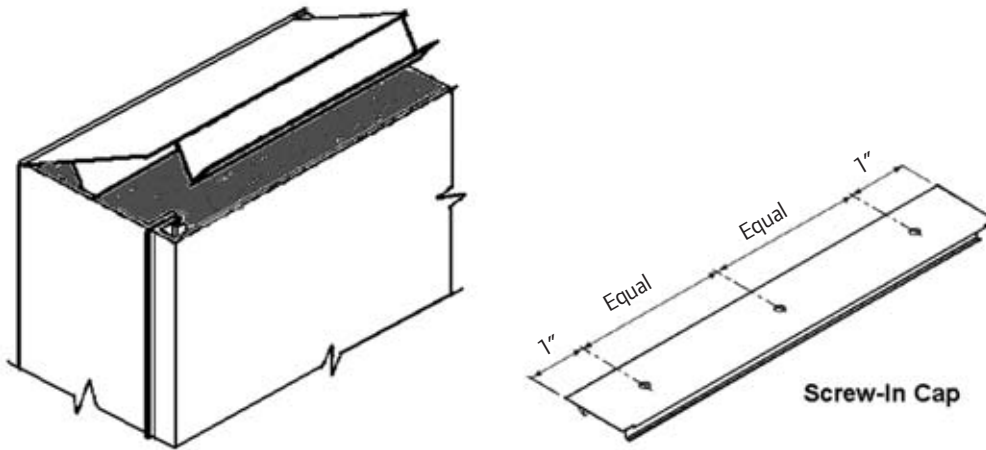


Top & Bottom Caps



PURPOSE:

When installed on exterior outswing doors, Top and/or Bottom Caps shield the recessed 14 gage (1.7mm) galvanized steel top and bottom closure channels from unwanted moisture penetration. If required, top caps may be sealed with caulk in the field by others. To prevent the build-up of moisture on the interior of the door, the bottom cap should never be caulked.

APPLICATION:

The top and/or the bottom of doors can be closed by installing a 24 gage [0.020" (0.5mm)] galvanized Screw-In Cap (recommended application) with three (3) No. 8 x 1-1/2" flat head sheet metal screws.

PRODUCT AVAILABILITY:

This optional is available for the following Steelcraft Series doors:

20 ga. (0.8mm), 18 ga. (1.0mm), 16 ga. (1.3mm) and 14 ga. (1.7mm) L, B, CE and T Series;

20 ga. (0.8mm) and 18 ga. (1.0mm) SL Series;

16 ga. (1.3mm) and 14 ga. (1.7mm) H Series;

16 ga. (1.3mm) HE Series, and

16 ga. (1.3mm) A and AN Series doors.

This option is available on Steelcraft L, SL, B, CE, H, HE, T, A and AN Series doors for non-label, or for labeled openings up to 3 hour Fire Ratings.