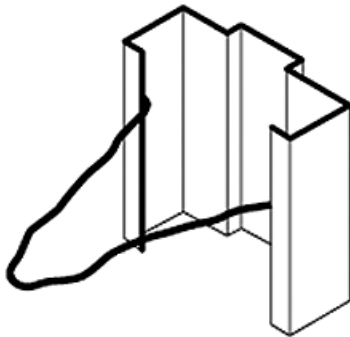
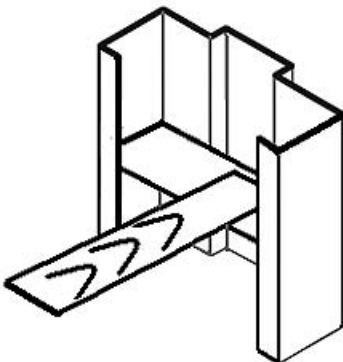


**WIRE MASONRY ANCHORS**



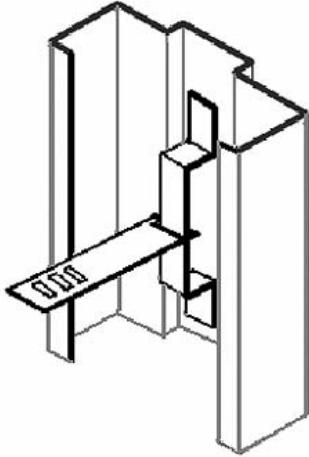
- |                              |  |
|------------------------------|--|
| 1. Material                  | 3/16" (5mm) dia. wire  |
| 2. Supplied                  | Shipped loose for field installation   |
| 3. Applicable Frame Series:  | F, FN, MU, FE, DE  |
| 4. Profile variations:       | SR – Single Rabbet<br>DR – Double Rabbet (equal & unequal)<br>CO – Cased Open<br>NOTE – profile must have back bends |
| 5. Frame depths              | 3" through 14-3/4"   |
| 6. Face variations           | Fits all face variations   |
| 7. Frame attachment:         | Lock-in  |
| 8. Application:              | Ship loose to jobsite, field installed   |
| 9. Wall construction:        | Masonry block or brick   |
| 10. Fire label applications: | UL/WH 3 hour max.  |
| 11. Base anchor              | See #2.4.12 for base anchor details  |

**MASONRY T-ANCHORS**



- |                              |   |
|------------------------------|---|
| 1. Material                  | 18 Ga. Galvannealed Steel   |
| 2. Supplied                  | Shipped loose for field installation  |
| 3. Applicable Frame Series:  | F, FN, MU, FE, DE   |
| 4. Profile variations:       | SR – Single Rabbet<br>DR – Double Rabbet (equal & unequal)<br>CO – Cased Open<br>NOTE – profile must have backbends |
| 5. Frame depths              | All frame depths<br>Ordered specifically to fit frame depths  |
| 6. Face variations           | Fits all face variations  |
| 7. Frame attachment:         | Lock-in   |
| 8. Application:              | Ship loose to jobsite, field installed  |
| 9. Wall construction:        | Masonry block or brick  |
| 10. Fire label applications: | UL/WH 3 hour max.   |
| 11. Base anchor              | See #2.4.12 for sill anchor details   |

### YOKE & STRAP MASONRY ANCHORS



- |                              |  |
|------------------------------|--|
| 1. Material                  | 18 Ga. Galvannealed Steel  |
| 2. Supplied                  | Factory welded in prior to shipment  |
| 3. Applicable Frame Series:  | F, FN, MU, FE, DE  |
| 4. Profile variations:       | SR – Single Rabbet<br>DR – Double Rabbet (equal & unequal)<br>CO – Cased Open              |
| 5. Frame depths              | All frame depths<br>For frame depths over 12-3/4" 2 anchors welded at each anchor location |
| 6. Face variations           | Fits all face variations<br>Ordered specifically to fit face                               |
| 7. Frame attachment:         | Arrives to jobsite welded into frame   |
| 8. Application:              | Factory welded   |
| 9. Wall construction:        | Masonry block or brick   |
| 10. Fire label applications: | UL/WH 3 hour max.  |
| 11. Base anchor              | See #2.4.12 for sill anchor details  |