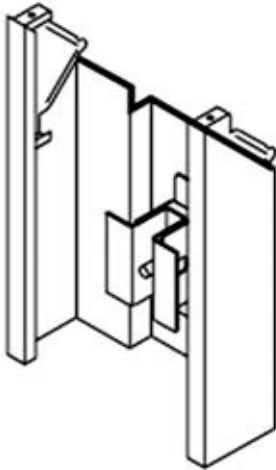


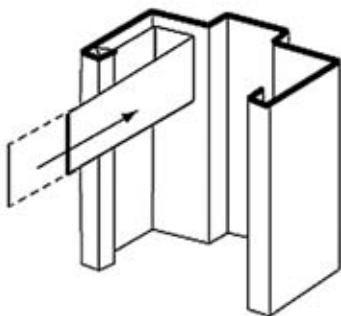
COMPRESSION JAMB ANCHOR



- | | |
|------------------------------|--|
| 1. Material | 16 Ga. Galvannealed Steel |
| 2. Supplied | Factory welded in prior to shipment |
| 3. Applicable Frame Series: | DW, K |
| 4. Profile variations: | SR – Single Rabbet
DR – Double Rabbet (equal & unequal)
CO – Cased Open
NOTE – profile must have a backbend |
| 5. Frame depths | All DW & K frame depths

For frame depths over 9”, 2 anchors welded at each anchor location |
| 6. Face variations | 2” face only |
| 7. Frame attachment: | Must be welded to frame |
| 8. Application: | Arrives at jobsite welded into frame |
| 9. Wall construction: | Wood or steel stud walls |
| 10. Fire label applications: | UL/WH 1-1/2 hour max. |
| 11. Base anchor | See #2.4.14 for sill anchor details |

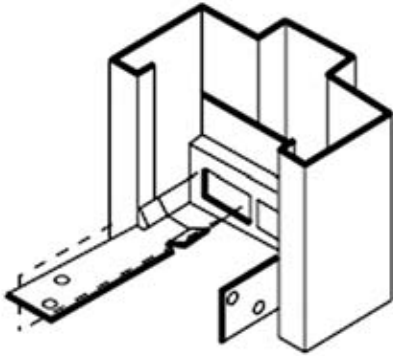
**SECURITY ANCHOR (OPTIONAL)
FOR DW & K-SERIES FRAMES**



Security anchor is field installed in the strike jamb directly above or below the strike preparation.

- | | |
|------------------------------|--|
| 1. Material | 24 Ga. Galvannealed Steel |
| 2. Supplied | Shipped loose for field installation |
| 3. Applicable Frame Series: | DW, K |
| 4. Profile variations: | SR – Single Rabbet
DR – Double Rabbet (equal & unequal)
CO – Cased Open
NOTE – profile must have a backbend |
| 5. Frame depths | All frame depths |
| 6. Face variations | 2” face only |
| 7. Frame attachment: | Lock-in |
| 8. Application: | Ship loose to jobsite, field installed |
| 9. Wall construction: | Wood or steel stud walls |
| 10. Fire label applications: | UL/WH 1-1/2 hour max. |

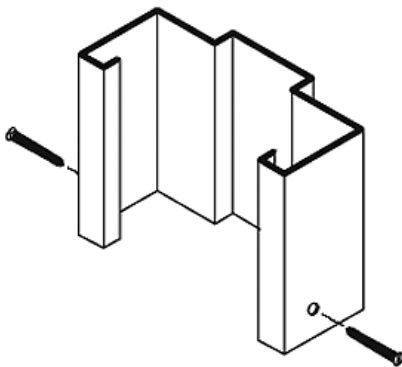
ADJUSTABLE BASE ANCHOR - DW SERIES FRAMES



- | | |
|------------------------------|--|
| 1. Material | 16 Ga. Galvannealed Steel |
| 2. Supplied | Shipped loose for field installation |
| 3. Applicable Frame Series: | DW |
| 4. Profile variations: | SR – Single Rabbet
DR – Double Rabbet (equal & unequal)
CO – Cased Open
NOTE – profile must have a backbend |
| 5. Frame depths | All frame depths |
| 6. Face variations | 2" face only |
| 7. Frame attachment: | Retaining clip is factory welded into each jamb. Adjustable anchor is field attached and adjusted during installation. |
| 8. Application: | Anchor angle ship loose to jobsite, field attached and adjusted. |
| 9. Wall construction: | Wood or steel stud walls |
| 10. Fire label applications: | UL/WH 1-1/2 hour max. |

BASE ANCHOR - K-SERIES FRAMES

Factory prepared holes - screws by others



- | | |
|------------------------------|--|
| 1. Material | #8 Phillips Flat Head Sheet Metal Screws (2 per jamb). Supplied by others. |
| 2. Supplied | Base of each jamb is factory prepared with a countersunk hole to accept a #8 Phillips Flat Head Screw. Supplied by others. |
| 3. Applicable Frame Series: | K |
| 4. Profile variations: | SR – Single Rabbet
DR – Double Rabbet (equal & unequal)
CO – Cased Open
NOTE – profile must have a backbend |
| 5. Frame depths | All frame depths |
| 6. Face variations | Fits all face variations
Ordered specifically to fit face |
| 7. Frame attachment: | Counter sunk holes pierced onto the face at the factory |
| 8. Application: | Field attached |
| 9. Wall construction: | Wood or steel stud walls |
| 10. Fire label applications: | UL/WH 1-1/2 hour max. |