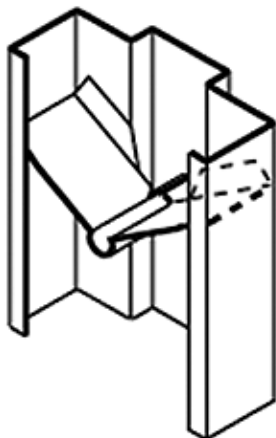


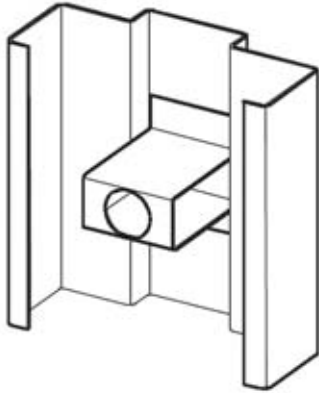
BUTTERFLY EXISTING WALL ANCHOR



- | | |
|------------------------------|--|
| 1. Material | 18 Ga. Galvannealed Steel |
| 2. Supplied | Shipped loose for field installation |
| 3. Applicable Frame Series: | F, FN, MU |
| 4. Profile variations: | SR – Single Rabbet
DR – Double Rabbet (equal & unequal)
CO – Cased Open

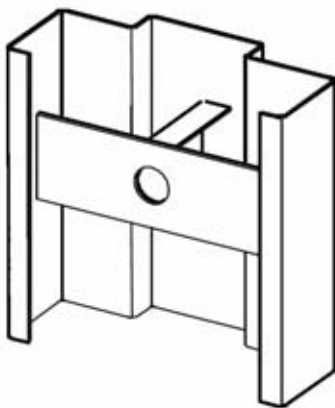
NOTE – profile must have a backbend |
| 5. Frame depths | 3” through 9-1/8”
Adjustable fits all depths up to 9-1/8” |
| 6. Face variations | 1” or 2” face only. |
| 7. Frame attachment: | Lock-in or factory welded |
| 8. Application: | Ship loose to jobsite, field installed.
When specified welded, arrives to jobsite welded into frame. |
| 9. Wall construction: | Masonry block, brick, existing or pre-cast |
| 10. Fire label applications: | UL/WH 3 hour max. |
| 11. Base anchor | Anchor used for both jamb and base anchor applications |

HAT SPACER EXISTING WALL ANCHOR



1. Material	16 Ga. Galvannealed Steel
2. Supplied	Welded in prior to shipment
3. Applicable Frame Series:	F, FN, MU, FE, DE
4. Profile variations:	SR – Single Rabbet DR – Double Rabbet (equal & unequal) CO – Cased Open NOTE – profile must have a backbend
5. Frame depths	All frame depths For frame depths over 9-1/4" 2 anchors welded at each anchor location
6. Face variations	Fits all face variations
7. Frame attachment:	factory welded
7. Application:	Arrives at jobsite welded into frame
9. Wall construction:	Masonry block, brick, existing or pre-cast
10. Fire label applications:	UL/WH 3 hour max.
11. Base anchor	Additional Hat Spacer anchor used as the base anchor

TUBE & STRAP EXISTING WALL ANCHOR



1. Material	16 Ga. Galvannealed Steel
2. Supplied	Welded in prior to shipment
3. Applicable Frame Series:	F, FN, MU, FE, DE
4. Profile variations:	SR – Single Rabbet DR – Double Rabbet (equal & unequal) CO – Cased Open NOTE – profile must have a backbend
5. Frame depths	All frame depths For frame depths over 9-1/4" 2 anchors welded at each anchor location
6. Face variations	Fits all face variations
7. Frame attachment:	Factory welded
8. Application:	Arrives at jobsite welded into frame
9. Wall construction:	Masonry block, brick, existing or pre-cast
10. Fire label applications:	UL/WH 3 hour max.
11. Base anchor	Additional Tube & Strap anchor used as the base anchor