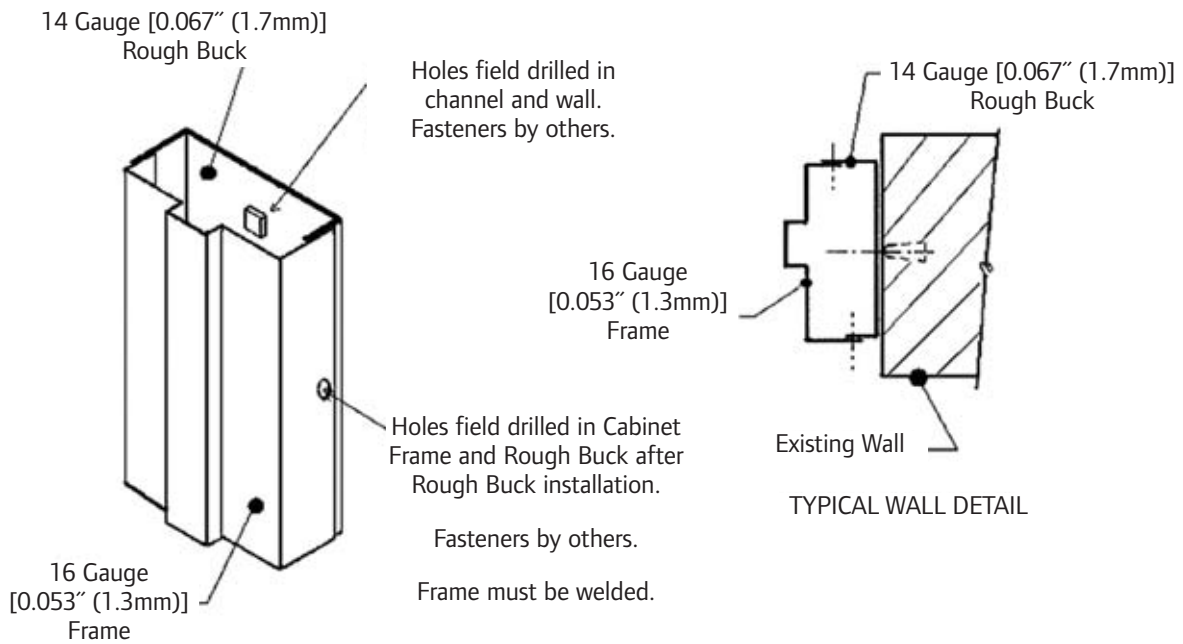


ROUGH BUCK FRAME



Application: Rough Buck (Cabinet) Frames are specialty frames that include a sub-channel (Rough Buck). The sub-channel is attached to an existing wall condition. The exposed steel (Cabinet Frame) is then attached to the sub-channel with fasteners provided by others.

Rough Buck (Cabinet) Frames are rarely used. They are usually installed in pre-cast existing masonry wall applications.

Purpose: Using this frame application allows contractors to install the Rough Buck relatively early in the construction cycle. The finished frame (Cabinet Frame) is then installed at a later date.

Product Availability: This frame option is available on special order only. It is a Non-Stock item. It is available as a non-labeled frame only.