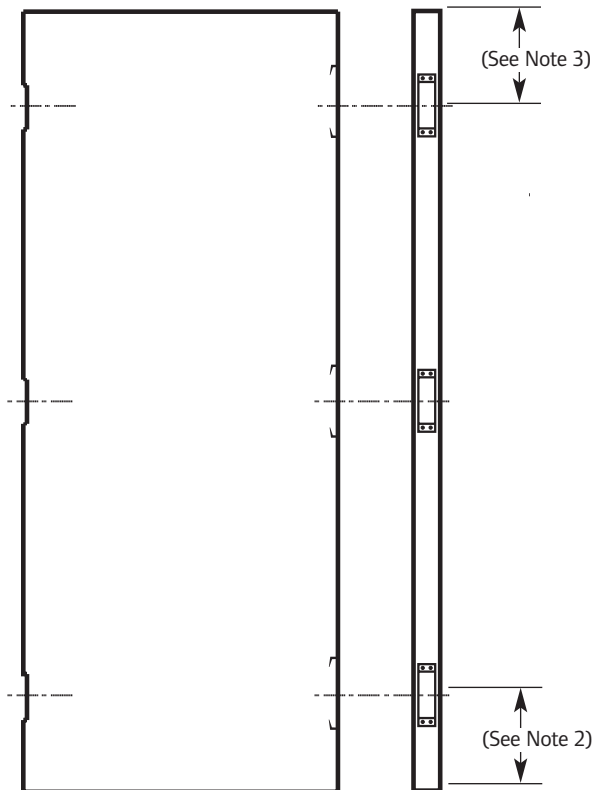
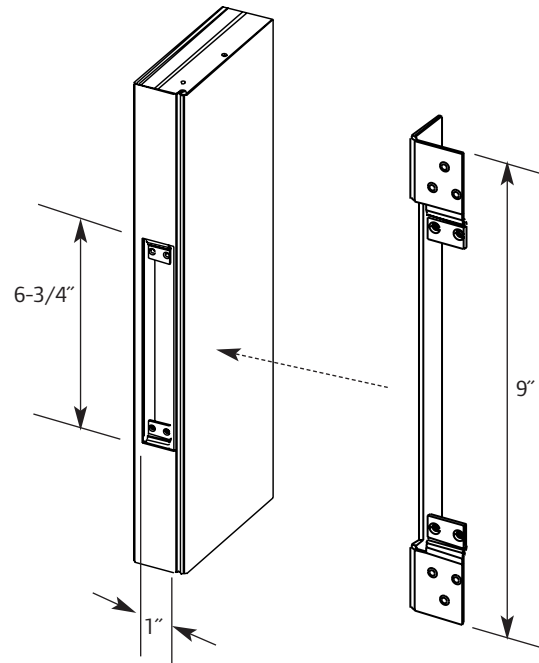


### FLUSHBOLT - WITHOUT ASTRAGAL (Example: Wide Inactive Leaf)

- Door leaf ordered as a separate inactive leaf not as a pair
- Preparation for flushbolts and strikes in inactive leaves
- For Flush Bolts (Manual or Automatic) conforming to ANSI A115.4



**Flushbolt Elevation Detail**



**Flushbolt Prep Detail**

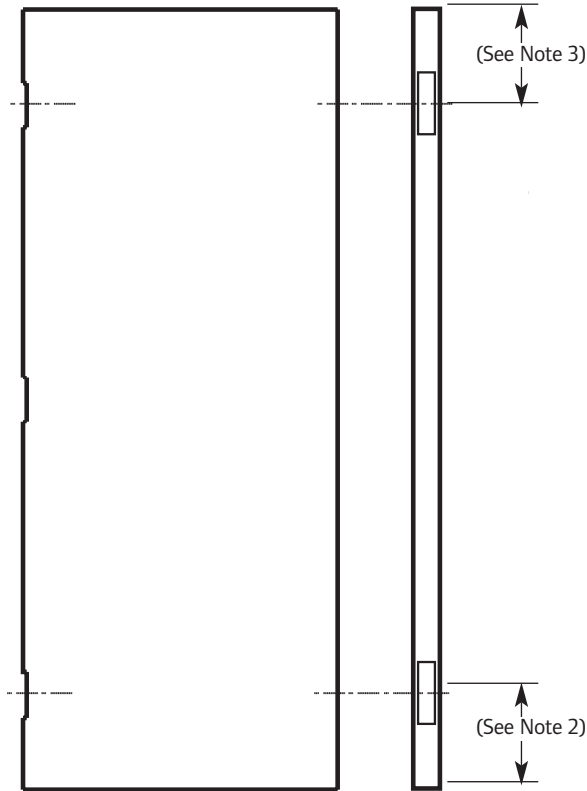
- 16 gage reinforcement

**Notes:**

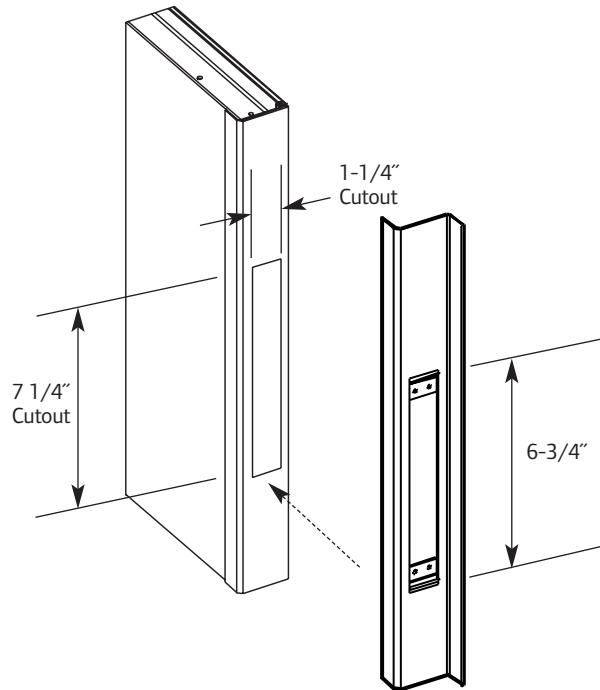
1. Prep is for fully mortised Flush Bolts (manual or auto)
2. Center line of bottom prep is located 12" above the bottom edge of the door, unless otherwise specified.
3. Top prep location varies as specified. Standard location options are 12", 18", 24", 30" or 36" from the top edge of the door.

**FLUSHBOLT - WITH ASTRAGAL**

- Door leaf ordered as a separate inactive leaf not as a pair
- Preparation for flushbolts and strikes in the inactive leaf and Astragal
- For Flush Bolts (Manual or Automatic) conforming to ANSI A115.4



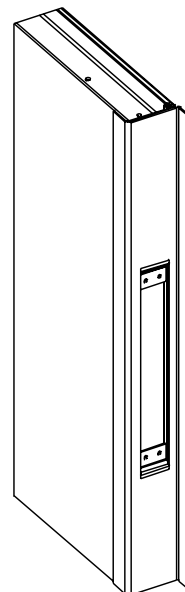
**Flushbolt Elevation Detail**



**Astragal attachment Detail**

Notes:

1. "Z" Astragal is required. Prep is for fully mortised Flush Bolts (manual or auto).
  - Cut outs on the edge of the door are for clearance only.
  - Astragals are shipped loose for field attachment.
  - Attaching tabs for flushbolts attachment are included on the astragal.
2. Center line of bottom prep is located 12" above the bottom edge of the door, unless otherwise specified
3. Top prep location varies as specified. Standard location options are 12", 18", 24", 30" or 36" from the top edge of the door.

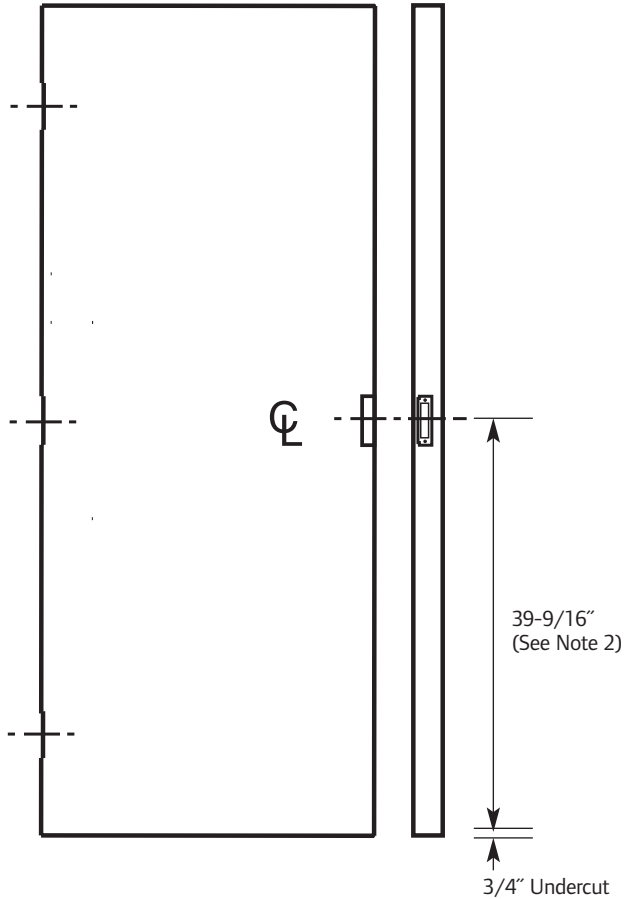


**Final Assembly Detail**

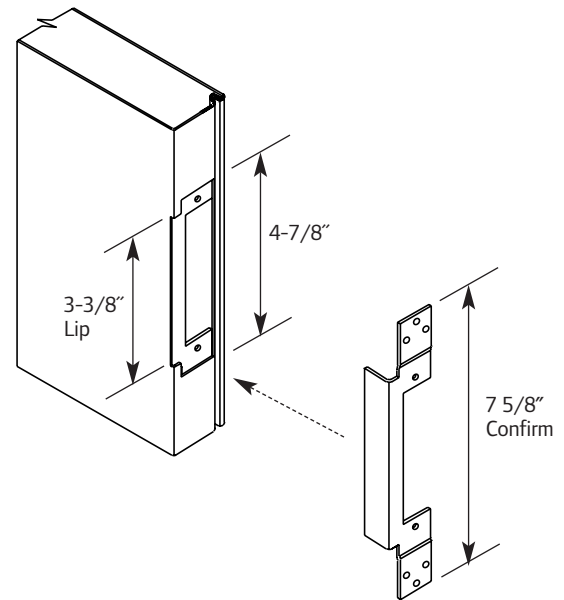
*Details are subject to change without prior notice.*

### ASA PREP – WITHOUT ASTRAGAL

- For 4 7/8" lip strike
- Preparation for full inactive leaf without astragal



**Elevation Detail with ASA Strike**



**ASA Strike Prep Detail**

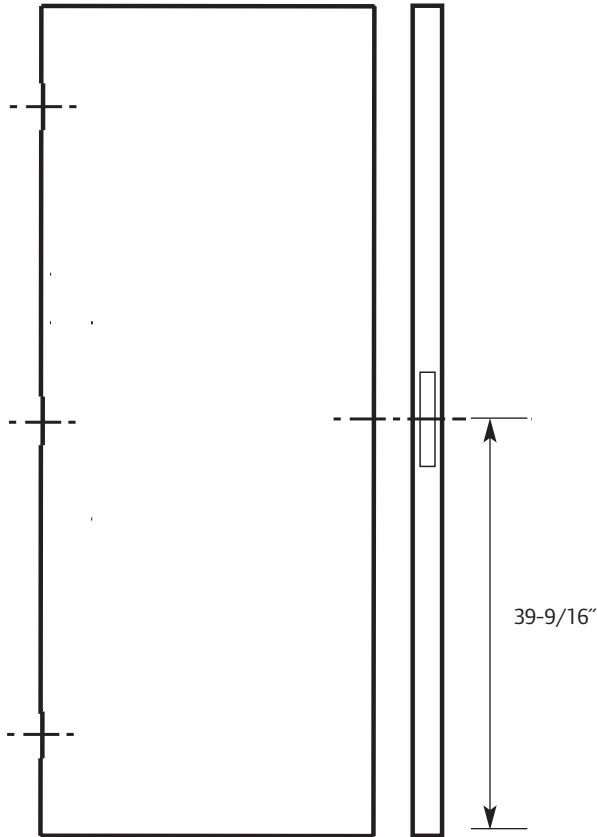
- 16 gage reinforcement

**Notes:**

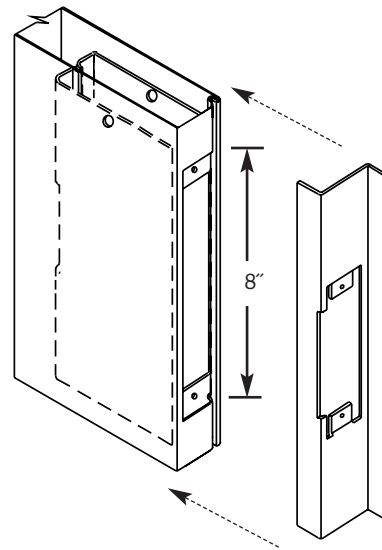
1. Prep is for fully mortised 4 7/8" ASA strike, commonly used on a wide inactive leaf.
2. Prep is located to accommodate Steelcraft's standard 3/4" undercut.  
**If special undercuts are required, it must be specified and prep location will be adjusted accordingly.**

**ASA PREP – WITH ASTRAGAL**

- For 4 7/8" lip strike
- Preparation for full inactive leaf with astragal



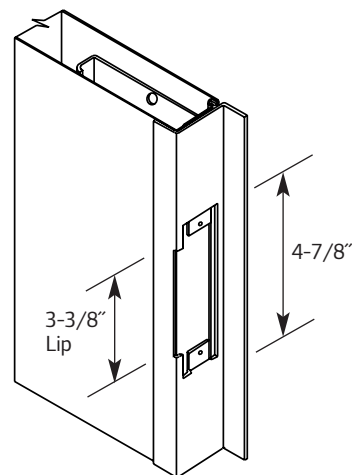
**Strike Prep Elevation Detail**



**Astragal attachment Detail**

Notes:

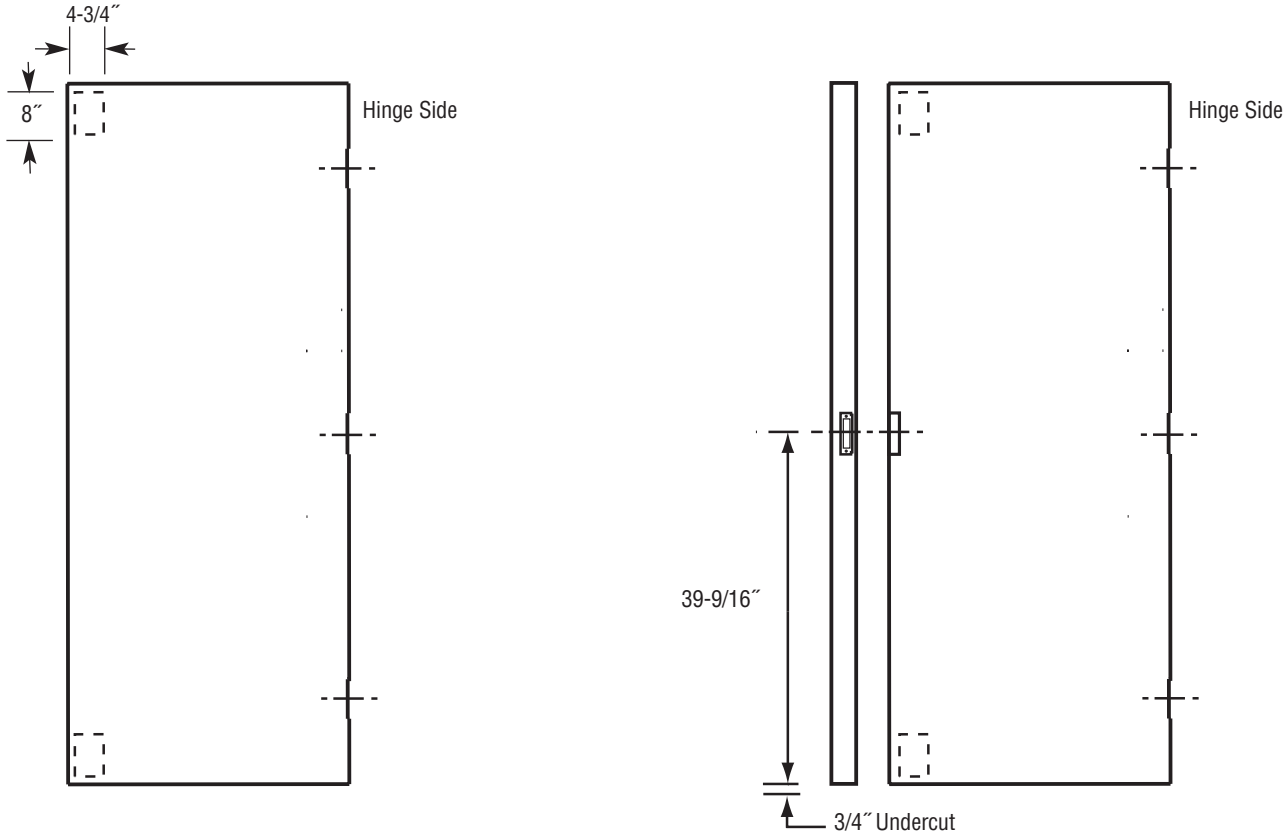
1. "Z" Astragal is required. Prep is for fully mortised 4 7/8" ASA strike.
  - Cut outs on the edge of the door are for clearance only.
  - Astragals are shipped loose for field attachment.
  - Attaching tabs for strike attachment are included on the astragal.
2. Center line of bottom prep is located 39 9/16" above the bottom edge of the door, unless otherwise specified
3. Prep is located to accommodate Steelcraft's standard 3/4" undercut. **If special undercuts are required, it must be specified and prep location will be adjusted accordingly.**



**Final Assembly Detail**

## INACTIVE LEAF - SURFACE BOLTS WITHOUT ASTRAGAL

- Door leaf ordered as a separate inactive leaf not as a pair
- Surface Bolt reinforcements in inactive leafs



## INACTIVE LEAF WITHOUT ASTRAGAL

Note – option does not have a strike preparation on the edge

Notes:

1. Details above, address inactive leafs when ordered as individual leafs.
2. When ordering double doors as pairs specify the primary lock and auxiliary locks on the active leaf. Primary Strike designations for the inactive leaf are not required, however strikes for auxiliary locks must be specified.
3. Surface bolt reinforcement data:
  - Reinforcements are 14 gage steel
  - Both faces are reinforced at the top and bottom on the lock edge

## INACTIVE LEAF WITHOUT ASTRAGAL ASA

Prep options:

Strike for primary lock:

**ASA** = 4-7/8" strike @ 40 5/16 above bottom of frame

**CYL** = 2-3/4" strike @ 40 5/16 above bottom of frame

**BLANK** = no prep but deadlock above

**SPECIAL** = Special strike per manufacturer's template

Strike for deadlock lock:

**ASA-48** = 4-7/8" strike @ 48" above bottom of frame

**ASA-60** = 4-7/8" strike @ 60" above bottom of frame

**CYL-48** = 2-3/4" strike @ 48" above bottom of frame

**CYL-60** = 2-3/4" strike @ 60" above bottom of frame

**SPECIAL-48** = 48" above bottom of frame

**SPECIAL-60** = 60" above bottom of frame

Strike for both primary lock and deadlock lock:

Specify nomenclature coded for both locks

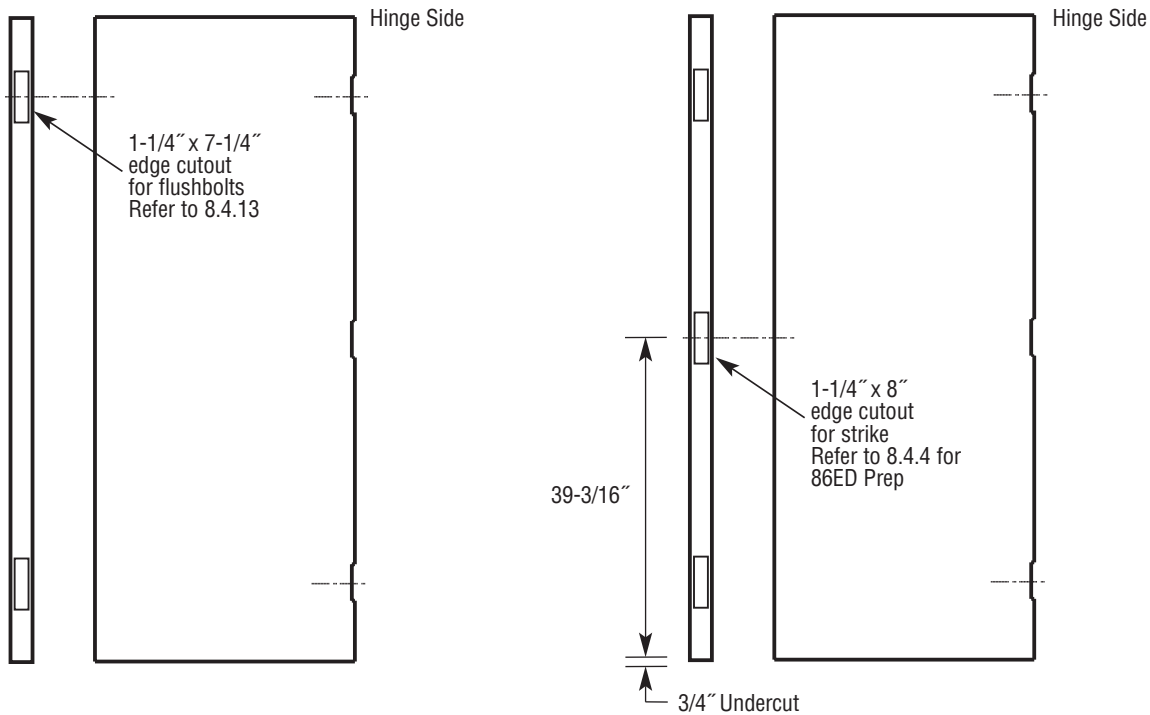
Example:

**ASA X ASA-60** = primary strike @ 40-5/16"

and deadlock strike @ 60" above bottom of the frame

**INACTIVE LEAF - FLUSH BOLTS WITH ASTRAGAL**

- Door leaf ordered as a separate inactive leaf not as a pair
- Cutouts for flushbolts in inactive leafs
- For Flush Bolts (Manual or Automatic) conforming to ANSI A115.4



**INACTIVE LEAF WITH ASTRAGAL**

Note – option does not have a strike preparation on the edge

Notes:

1. Astragals are shipped loose for field attachment.
2. Attaching tabs for flush bolts and strikes are included on the astragal. Cut outs on the edge of the door are for clearance only.
3. Details above, address inactive leafs when ordered as individual leafs.
4. When ordering double doors as pairs specify the primary lock and auxiliary locks on the active leaf. Primary Strike designations for the inactive leaf are not required, however strikes for auxiliary locks must be specified.

**INACTIVE LEAF WITH ASTRAGAL ASA**

Prep options:

Strike for primary lock:

**ASA** = 4-7/8" strike @ 40 5/16 above bottom of frame

**CYL** = 2-3/4" strike @ 40 5/16 above bottom of frame

**BLANK** = no prep but deadlock above

**SPECIAL** = Special strike per manufacturer's template

Strike for deadlock lock:

**ASA-48** = 4-7/8" strike @ 48" above bottom of frame

**ASA-60** = 4-7/8" strike 60" above bottom of frame

**CYL-48** = 2-3/4" strike @ 48" above bottom of frame

**CYL-60** = 2-3/4" strike 60" above bottom of frame

**SPECIAL-48** = 48" above bottom of frame

**SPECIAL-60** = 60" above bottom of frame

Strike for both primary lock and deadlock lock:

Specify nomenclature coded for both locks

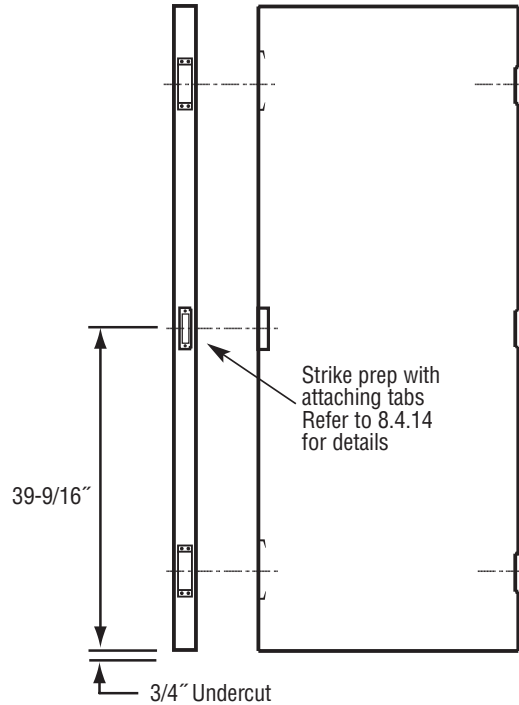
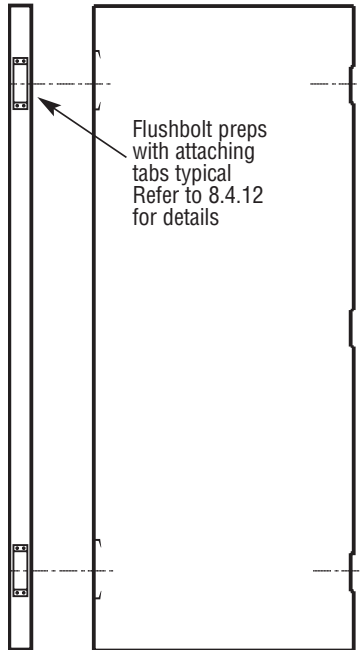
Example:

**ASA X ASA-60** = primary strike @ 40-5/16"

and deadlock strike @ 60" above bottom of the frame

## INACTIVE LEAF - FLUSH BOLTS WITHOUT ASTRAGAL

- Door leaf ordered as a separate inactive leaf not as a pair
- Cutouts for flushbolts in inactive leaves
- For Flush Bolts (Manual or Automatic) conforming to ANSI A115.4



### INACTIVE LEAF WITHOUT ASTRAGAL

Note – option does not have a strike preparation on the edge

- For flush bolts without astragal
- Door edge is prepped and reinforced for the flushbolts

Notes:

1. Flushbolt and strike preparations are fully mortised into the inactive leaf door edge.
2. Details above, address inactive leaves when ordered as individual leaves.
3. When ordering double doors as pairs specify the primary lock and auxiliary locks on the active leaf. Primary Strike designations for the inactive leaf are not required, however strikes for auxiliary locks must be specified.

### INACTIVE LEAF WITHOUT ASTRAGAL ASA

Prep options:

Strike for primary lock:

**ASA** = 4-7/8" strike @ 40 5/16 above bottom of frame

**CYL** = 2-3/4" strike @ 40 5/16 above bottom of frame

**BLANK** = no prep but deadlock above

**SPECIAL** = Special strike per manufacturer's template

Strike for deadlock lock:

**ASA-48** = 4-7/8" strike @ 48" above bottom of frame

**ASA-60** = 4-7/8" strike 60" above bottom of frame

**CYL-48** = 2-3/4" strike @ 48" above bottom of frame

**CYL-60** = 2-3/4" strike 60" above bottom of frame

**SPECIAL-48** = 48" above bottom of frame

**SPECIAL-60** = 60" above bottom of frame

Strike for both primary lock and deadlock lock:

Specify nomenclature coded for both locks

Example:

**ASA X ASA-60** = primary strike @ 40-5/16"

and deadlock strike @ 60" above bottom of the frame