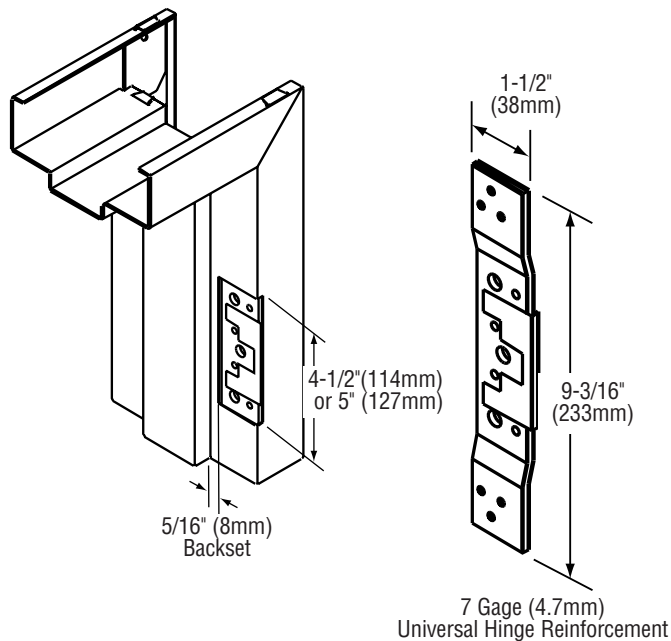


HINGE PREP**GENERAL INFORMATION:**

Standard 4-1/2" (114mm) and optional 5" (127mm) butt hinges are normally used in 1-3/4" (45mm) doors. Either hinge will support doors up to 4'0" (1219mm) wide and 10'0" (3048mm) high (quantity will vary, refer to 8.2.2).

The preparation in the door and frame are described as the "Universal" preparation. This means the preparation will convert from a standard to a heavy weight hinge prep by removing the break-off spacer in the field.

DESCRIPTION:

Both the standard 4-1/2" (114mm) and the optional 5" (127mm) hinges come in standard and heavy weight.

- 4-1/2" (114mm) = Standard .134" (3mm) Heavy .180" (5mm)
- 5" (127mm) = Standard .140" (4mm) Heavy .190" (5mm)

Hinges used must be the "TEMPLATED"

REINFORCEMENT:

The reinforcement used in the door and frame are 7 gage (4.7mm) steel and are projection welded to the rabbet of the hinge jamb. The reinforcements include an auxiliary steel spacer. Leave the spacer in place and the standard weight hinge can be used. Remove the spacer and the heavy weight hinge can be used. Refer to the appropriate frame series to insure the patented universal hinge is available.

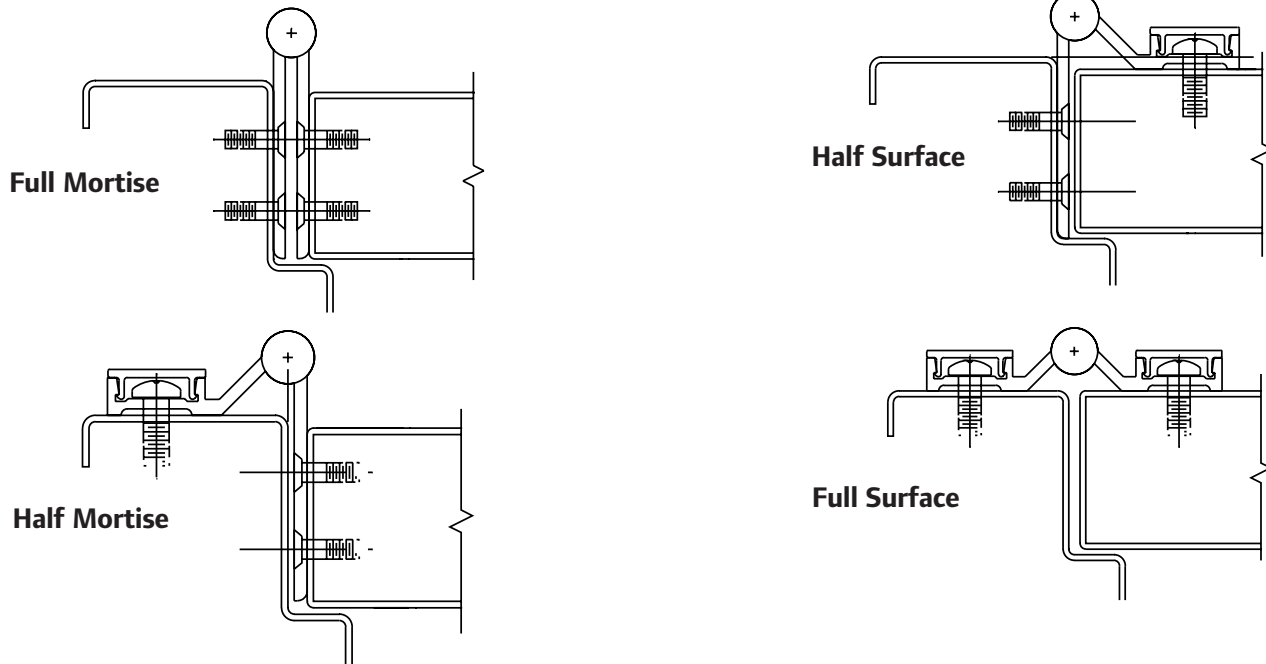
SPECIFICATION COMPLIANCE:

Both the 4-1/2" (114mm) and 5" (127mm) hinge preparations meet or exceed the requirements of the Steel Door Institute (SDI).

FIRE RATINGS:

The 4-1/2" (114mm) or 5" (127mm) hinge can be used in fire rated products with ratings from 20 minute to 3 hours.

CONTINUOUS HINGE PREP



GENERAL INFORMATION:

Continuous hinges are generally used on large heavy doors. They are also used when an opening is subjected to high frequency usage.

DESCRIPTION:

The type of attachment to the door identifies continuous hinges. The attachment can be

- Full mortise (attached to the door edge and frame rabbet)
- Half surface (attached to the door face and frame rabbet)
- Half mortise (attached to the door edge and frame face)
- Full surface (attached to the door and frame faces)

Attachment to the door and frame can be by sheet metal screws or machine screws. All holes are field drilled or field drilled and tapped. The clearance on the hinge side of the door is adjusted depending on the hinge template.

REINFORCEMENT:

When sheet metal screws are used, a reinforcement in both door and frame is not required. Using the hinge as a template or the template supplied, field drill the proper place on the door and frame for the screws and attach the hinge.

When machine screws are used or when specified additional reinforcement for both the door and frame may be required. The reinforcement is 14 gage steel, welded to the inside of the door or frame as required by the attachment. Using the hinge as a template, or the template supplied, field drill and tap the proper place on the door and frame for the machine screws and attach the hinge.

TEMPLATE:

Hinge manufacturer's information should be reviewed carefully to insure the correct attachment and that the hinge is capable of meeting the requirements of your opening.

FIRE RATINGS:

Fire rated continuous hinges are available for openings with ratings from 20 minutes to 3 hours. Check the hinge manufacturer's information on this requirement.