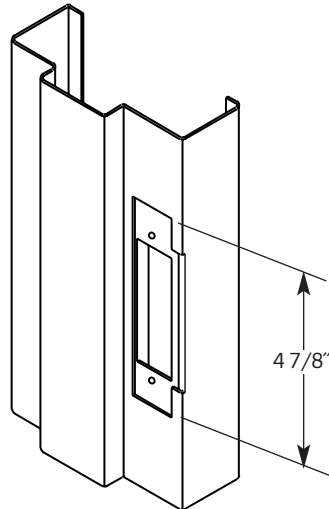
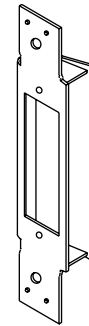


ASA STRIKE PREP

Typical Preparation



Reinforcement



GENERAL INFORMATION:

The ANSI A115.1 and ANSI A115.2 strikes are designed to function with the ANSI A115.1 and 115.2 locks and mortise exit devices. Some mortise and bored-in deadlocks will function with these strikes.

DESCRIPTION:

ANSI A115.1 and ANSI A115.2 strikes are 4-7/8" (124mm) high and 11/4" (32 mm) wide. The centerline of the strike is located 40-5/16" (1024 mm) from the bottom of the frame. This location will function with the ANSI A115.1 and A115.2 locks and the mortise exit devices. The location for deadbolts must be adjusted (normally 48" [1219 mm] from the bottom of the frame) to match the deadlock being used. The centerline of the strike is located 15/16" (24 mm) from the stop of the strike jamb.

The normal lip on the strike is 1-1/4" (32 mm). This allows the strike lip to extend beyond the frame face providing a guide for the latch bolt. The lip is omitted on deadlock strikes.

REINFORCEMENT:

The reinforcement used is a specially formed 16-gage steel part and is projection welded to the door rabbet of the strike jamb. The reinforcement includes extruded attaching holes to provide adequate threads for the strike plate screws. The reinforcement includes a dust (mortar) box that is deep enough to receive the 1" (25 mm) throw latch bolt or deadbolt.

TEMPLATE:

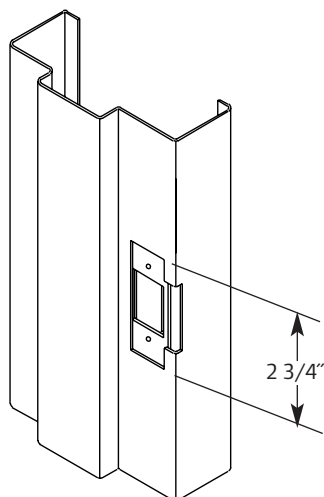
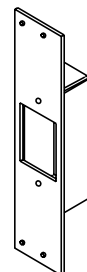
Lock manufacturers template should be reviewed carefully to insure the strike being used will function in the preparation. Although Steelcraft's preparation meets or exceeds the ANSI standard, some manufacturer's strikes may not fit properly in the cutout or provide enough lip extension.

SPECIFICATION COMPLIANCE:

The ANSI A115.1 and ANSI A115.2 strike preparation meets or exceeds the requirements of the Steel Door Institute (SDI) and the Door and Hardware Institute (DHI).

FIRE RATINGS:

The ANSI A115.1 and ANSI A115.2 strikes can be used in fire rated frames with ratings from 20 minute to 3 hours.

CYL STRIKE PREP**Typical Preparation****Reinforcement****GENERAL INFORMATION:**

The ANSI A115.3 strike is designed to function with the ANSI A115.2 and 115.3 locks and bored-in deadlocks.

DESCRIPTION:

ANSI A115.3 strike is 2-3/4" (70mm) high and 1-1/8" (28 mm) wide. The centerline of the strike is located 40-5/16" (1024 mm) from the bottom of the frame. This location will function with the ANSI A115.2 and A115.3 locks. The location must be adjusted (normally 48" [1219 mm] from the bottom of the frame to match the deadlock being used. The centerline of the strike is located 15/16" (24 mm) from the stop of the strike jamb

The normal lip on the strike is 1-1/4" (32 mm). This allows the strike lip to extend beyond the frame face providing a guide for the latch bolt. The lip is omitted on deadlock strikes.

REINFORCEMENT:

The reinforcement used is a 14-gage steel part and is projection welded to the frame rabbet. The reinforcement includes extruded attaching holes to provides adequate threads for the strike plate screws.

The reinforcement includes a dust (mortar) box welded to the reinforcement that is deep enough to receive the 1" (25 mm) throw latch bolt or deadbolt.

TEMPLATE:

Lock manufacturers template should be reviewed carefully to insure the strike being used will function in the preparation. Although Steelcraft's preparation meets or exceeds the ANSI standard, some manufacturer's strikes may not fit properly in the cutout or provide enough lip extension.

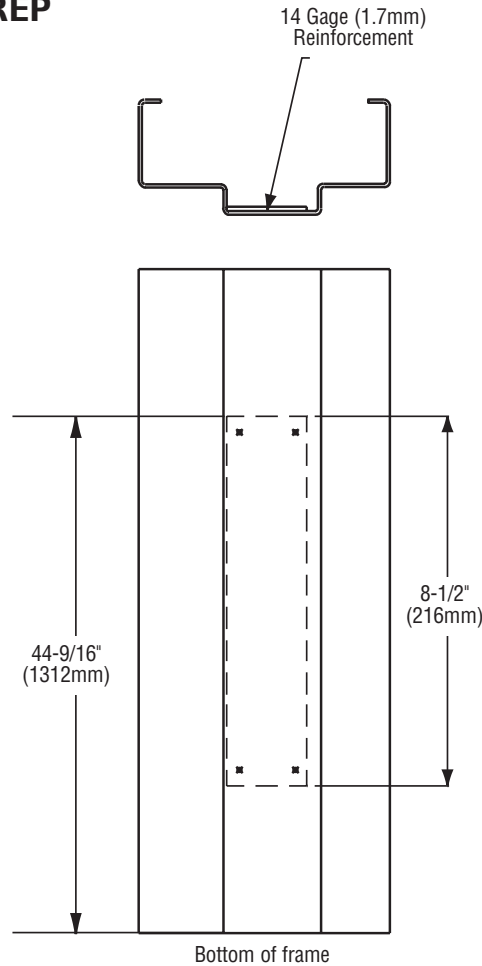
SPECIFICATION COMPLIANCE:

The ANSI A115.3 strike preparation meets or exceeds the requirements of the Steel Door Institute (SDI) and the Door and Hardware Institute (DHI).

FIRE RATINGS:

The ANSI A115.1 and ANSI A115.2 strikes can be used in fire rated frames with ratings from 20 minute to 3 hours.

RPD RIM PANIC STRIKE PREP



GENERAL INFORMATION:

Steelcraft's rim exit device strike preparation is designed to function with all rim exit devices.

DESCRIPTION:

The preparation is designed to accept the surface mounted strike supplied by the exit device manufacturer. The strike jamb is reinforced only and all drilling and tapping is done in the field by others.

The centerline of the preparation is located per the exit device manufacturer's template.

REINFORCEMENT:

The preparation consists of a 14-gage steel plate 8-1/2" (216 mm) long by minimum 2" (950 mm) wide, welded to the soffit of the strike jamb. A dust (mortar) guard is not provided.

TEMPLATE:

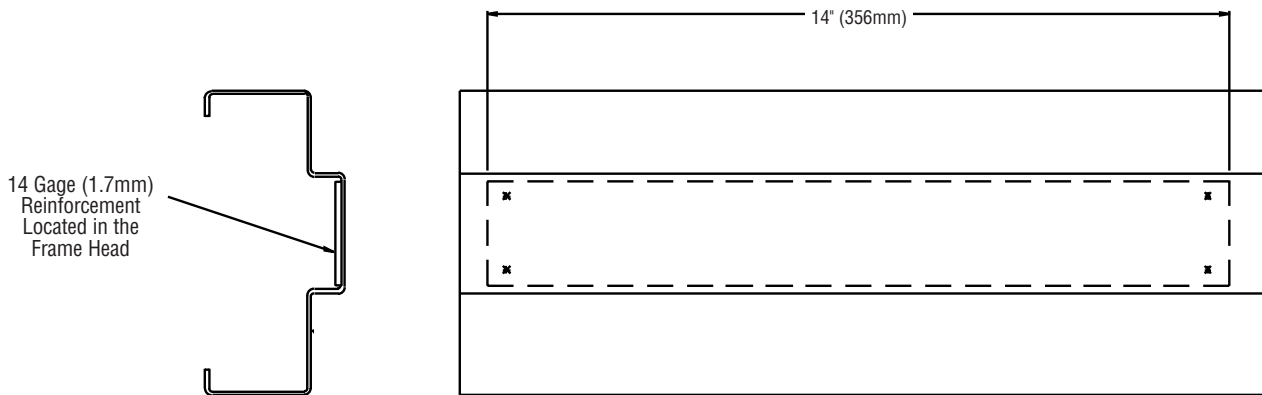
Exit device manufacturer's template should be reviewed.

SPECIFICATION COMPLIANCE:

The rim exit device strike preparation meets or exceeds the requirements of the Steel Door Institute (SDI) and the Door and Hardware Institute (DHI).

FIRE RATINGS:

RPD strikes are used in fire rated frames in conjunction with doors equipped with Rim Fire Exit Hardware, in ratings from 20 minute to 3 hours.

SURFACE VERTICAL ROD STRIKE PREP**GENERAL INFORMATION:**

Steelcraft's vertical rod exit device strike preparation is designed to function with all vertical rod exit devices.

DESCRIPTION:

The preparation is designed to accept the surface mounted strike supplied by the exit device manufacturer. The head of the frame is reinforced only and all drilling and tapping is done in the field by others. The preparation is located in the soffit area and in the center of the frame head.

REINFORCEMENT:

The preparation consists of a 14-gage steel plate 14" (356 mm) long by 2" (50 mm) wide, welded to the soffit of the frame header. The plate is held to the door side of the jamb. A dust (mortar) box is not provided.

TEMPLATE:

Exit device manufacturers template should be reviewed carefully to insure the strike being used will function in the preparation.

SPECIFICATION COMPLIANCE:

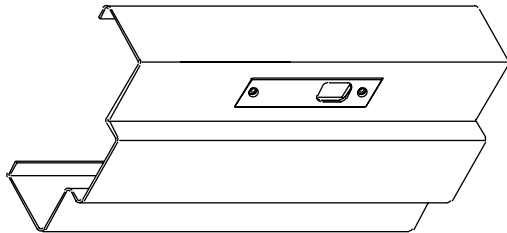
The vertical rod exit device strike preparation meets or exceeds the requirements of the Steel Door Institute (SDI) and the Door and Hardware Institute (DHI).

FIRE RATINGS:

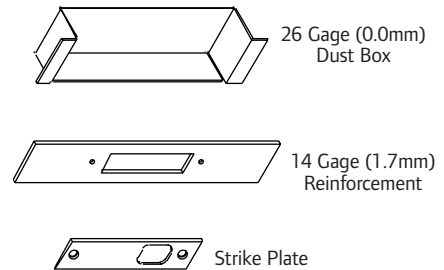
Vertical Rod strikes are used in fire rated frames in conjunction with pairs of doors equipped with Surface Vertical Rod Fire Exit Hardware, in ratings from 20 minute to 3 hours.

UNIVERSAL FLUSH BOLT STRIKE PREP

Universal Flush Bolt Strike Preparation



Lock Reinforcement



GENERAL INFORMATION:

Steelcraft's Universal flush bolt strike preparation is designed to be non-handed. The preparation includes a cutout, reinforcement and strike plate that will function with all ANSI flush bolts.

DESCRIPTION:

The preparation includes a cutout located in the door rabbet of the frame header that is large enough to cover both right hand and left hand active openings. A reinforcing plate that is offset to accept a reversible strike/filler is welded into the door rabbet of the frame header. A prime painted strike/filler plate is supplied installed. To change hands it is necessary to remove the strike/filler plate and reinstall for the other hand using the same strike/filler plate and screws.

REINFORCEMENT:

Reinforcement: The preparation consists of a 14-gage steel plate of such design to function properly with the flush bolt.

The reinforcement is drilled and tapped at the factory. The reinforcements are welded to the door rabbet of the frame header.

Strike Plate: Preparation includes a universal prime painted strike plate with attaching screws. A dust (mortar) box is provided.

TEMPLATE:

Flush bolt manufacturer's template should be reviewed carefully to insure the bolt being used will function in the preparation.

SPECIFICATION COMPLIANCE:

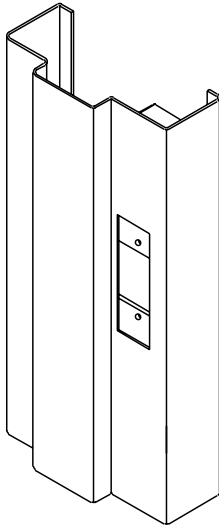
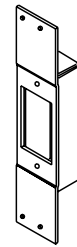
The flush bolt strike preparation meets or exceeds the requirements of the Steel Door Institute (SDI) and the Door and Hardware Institute (DHI).

FIRE RATINGS:

Universal Flush Bolt strikes are used in fire rated frames in conjunction with pairs of doors equipped with inactive leaf flush bolts, in ratings from 20 minute to 3 hours.

Notes:

1. The flush bolt strike/filler plate is prime painted and installed at the factory for right hand openings.
2. For left hand openings, remove the plate and reinstall as required.

DEAD LOCK STRIKE PREP**Typical Preparation****Reinforcement**

14 Gage (1.7mm) Reinforcement

GENERAL INFORMATION:

Deadlock strikes are normally rectangular shaped non-lip type strikes that are designed to work with bored-in or mortise deadlocks. A lip strike can be used if the cutout for the deadbolt is located properly and is the correct size.

DESCRIPTION:

The deadlock strike preparation is a rectangular shaped cutout in the door rabbet of the strike jamb. The centerline of the deadlock strike is located 48" (1219 mm) from the bottom of the frame and the door preparation adjusted to match the strike.

REINFORCEMENT:

The reinforcement used is a formed 14-gage steel plate that is welded to the door rabbet of the strike jamb. The reinforcement provides adequate threads for the strike plate screws. In addition the reinforcement includes a dust (mortar) box that is deep enough to receive the 1" (25 mm) throw deadbolt.

TEMPLATE:

Deadlock strike manufacturer's template should be reviewed carefully for the preparation required in the frame.

SPECIFICATION COMPLIANCE:

The deadlock strike preparation meets or exceeds the requirements of the Steel Door Institute (SDI) and the Door and Hardware Institute (DHI).