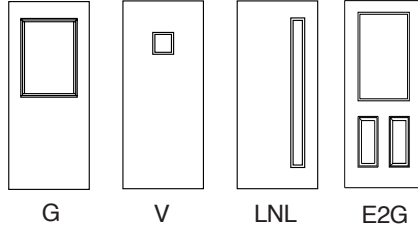


### GLAZING KIT OPTIONS:

Flush door glass kits for L, B, CE and T Series doors include the following glass trim systems.

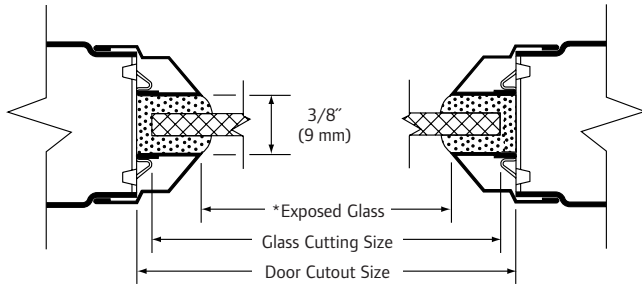
#### Full Flush Doors (L, B and T Series)



**Designer® trim** – This unique and patented trim is factory supplied recessed into the door face, to provide a neat flush door surface and is designed to accommodate:

Standard: 1/4" (6mm) thick glass

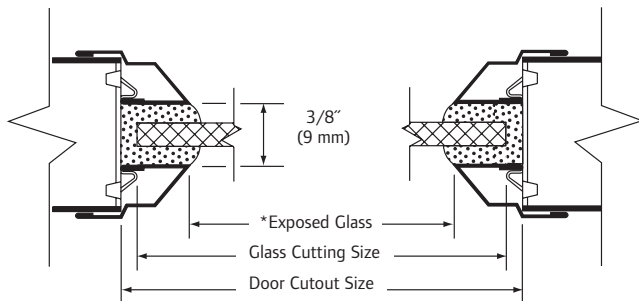
Optional: 1/2" (13mm) thick insulated glass



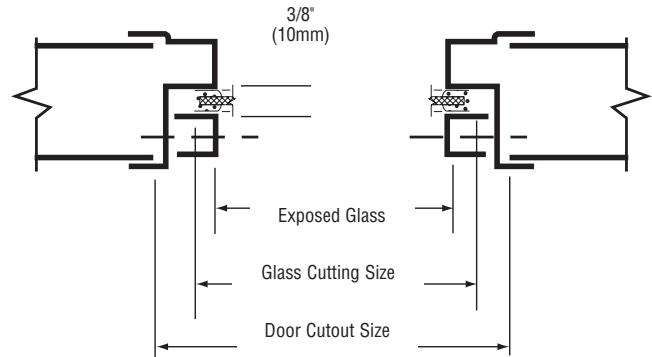
**Designer® trim (distributor prepared and installed)** – This trim application includes all the features of the Designer Trim except is not recessed into the door face. The trim is installed on the surface of the door face, like conventional hollow metal doors.

Standard: 1/4" (6mm) thick glass

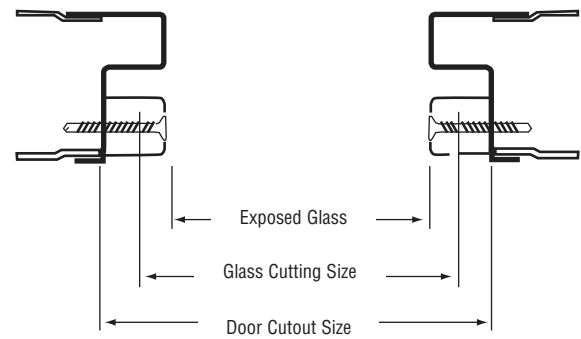
Optional: 1/2" (13mm) thick insulated glass



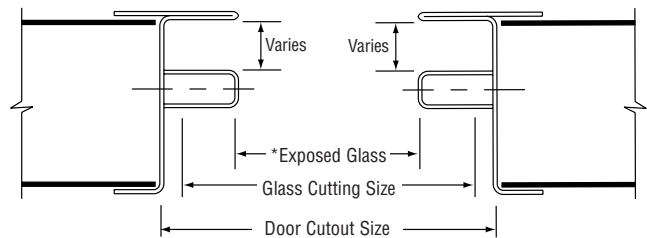
**Conventional Trim** – This conventional hollow metal glazing trim is factory supplied not recessed into the door face. The trim is installed on the surface of the door face. Glazing stops are screw attached



**Flush Mounted Trim** – This conventional hollow metal glazing trim is factory supplied recessed into the door face. Glazing stops are screw attached. Flush mounted trim is only available for 1/4" or 1" thick glass.



**Insulated glass trim over 1/2" (13mm) thick** – This option and specially designed over lapping steel trim can be supplied for glass thickness over 1/2" (13mm) thick and maximum 1" thick insulated glass.



### Window Sizes and Designs:

All door lights covered in this section are Steelcraft standards. Special light sizes and configurations are available when specified. Refer to the following pages for specific details and dimensions of the various glass designs.