

**FEATURES AND BENEFITS:**

Steelcraft FP14 Paladin™ Series Flush Frames offer the following unique features which enhance long term functionality and durability:

1. **14 GAGE A60 galvanized steel for superior corrosion resistance** on exterior openings.
2. **Die-mitered corner connections** at the head and jamb. Standard corners insure attractive, tight and closed miters.
3. **Patented universal hinge preparations** allow for easy field conversion from standard weight .134" (3.3mm) thick hinges to heavy weight .180" (4.7mm) hinges.
4. **Adjustable base anchors** allow for installation adjustment when the floor is not level.
5. **Factory prepared** for field installed silencers.
6. **Factory applied baked on rust inhibiting**

**SPECIFICATION COMPLIANCE:**

1. Overall frame construction for the Steelcraft FP14 Paladin™ Series Flush Frames meets the requirements of ANSI A250.8-2003 (SDI -100).
2. Hardware preparations and reinforcements are in accordance with ANSI A250.6-2003. Locations are in accordance with ANSI/DHI A115.

**FIRE RATINGS:**

The FP14 Paladin™ Series Flush Frames meet fire rating requirements. They are listed for installations requiring compliance to both neutral pressure testing (ASTM E152 and UL 10B) and positive pressure standards (UBC 7-2 and UL 10C). Refer to the "Fire Rated" Section of this manual for particular listings.

**APPLICATIONS:**

FP14 Paladin™ Series Flush Frames are typically installed in wall construction types as defined in the chart below:

**ABOUT THE PRODUCT:**

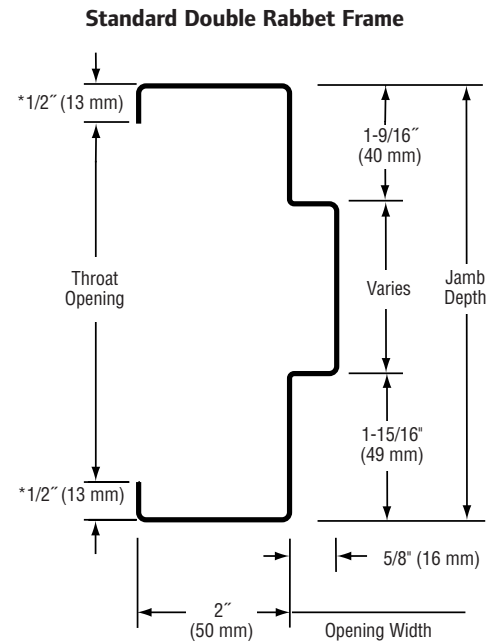
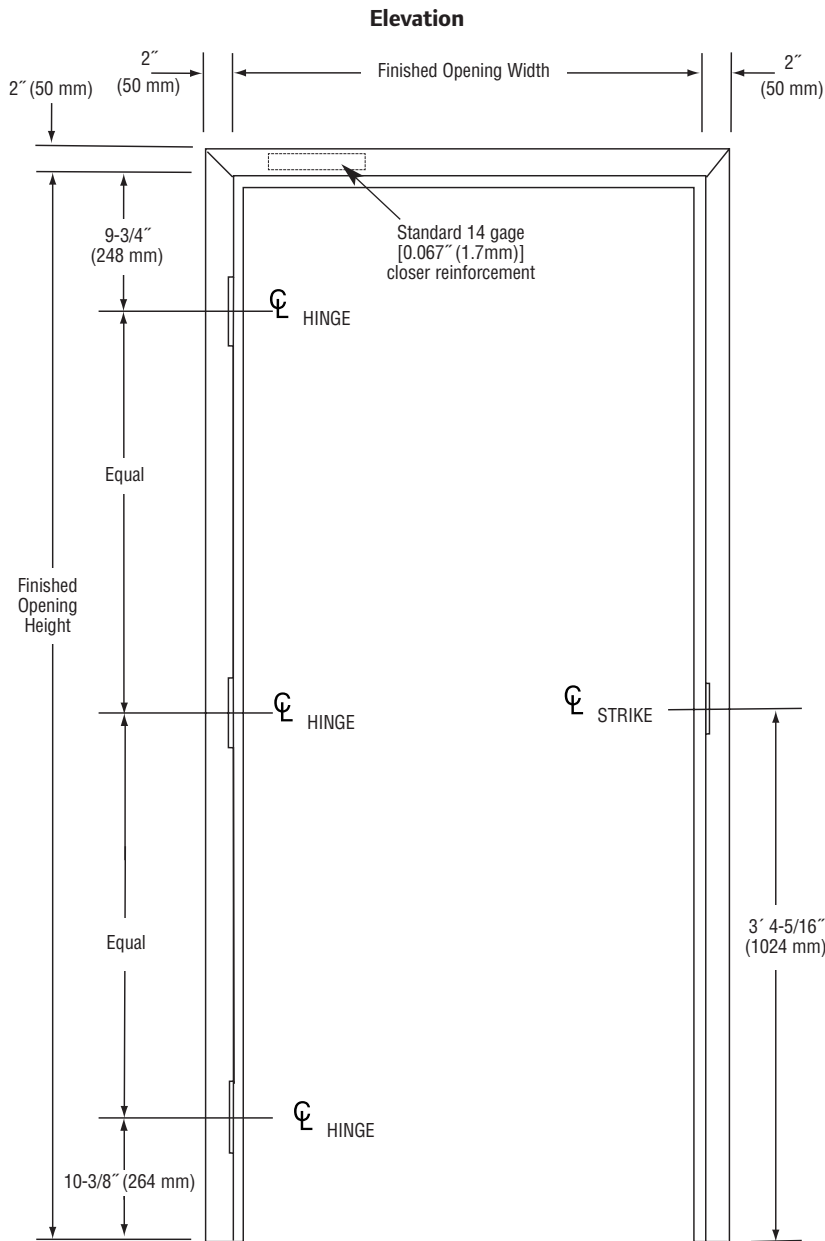
The FP14 Paladin™ Series 3 Sided Flush Frames are designed to meet requirements of FEMA 320 and 361 guidelines to protect the general public from the extreme effects of tornados. These frames are available in 14 gage [0.067" (1.7mm)] only. They are installed in both interior and exterior locations, and in virtually all types of buildings and wall constructions. These frames are to be installed as part of the wall framing sequence. They can be specified and supplied as KD (knock-down) for field assembly prior to installation or SUA (set-up and welded) for installation as a pre-welded unit. All FP14 Paladin' Series frames include the FEMA 320 / 361 Label.

**INSTALLATION:**

1. Installation shall conform to the published Steelcraft installation instructions, ANSI A250.11-2001 (formerly SDI 105) Recommended Erection Instructions for Steel Frames and HMMA 840.
2. Fire Rated Assemblies must be in accordance with NFPA Pamphlet 80. The Authority Having Jurisdiction is the final authority in issues related to the installation and use of installed Fire Rated Doors.

**Frame Applications**

Profile	Steel Thickness	Wall Construction	Typical Wall Anchors
FP14	14 Gage [0.067" (1.7mm)]	Masonry	Wire Masonry
	Existing Masonry	Bolted Through Soffit	



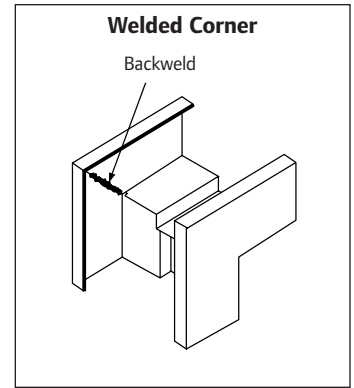
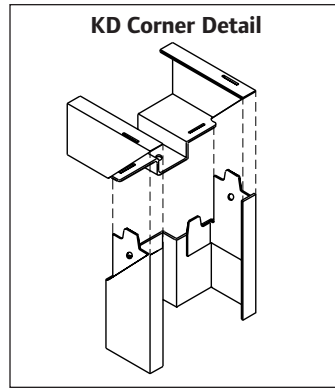
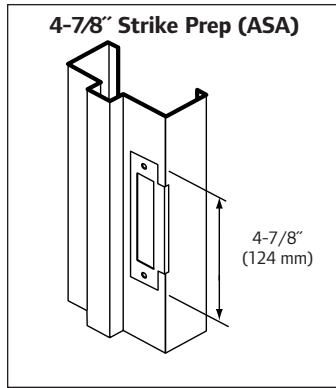
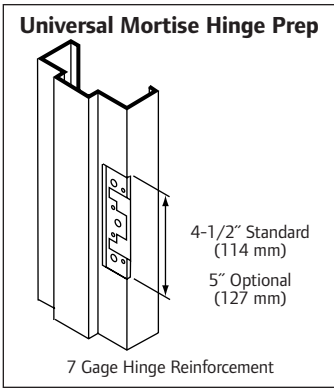
NOTE: FP14 Paladin™ Series Frame are available as double rabbet only.

### Frame Sizing Options

Series	Maximum Opening Size		Jamb Depth Availability (Profile)				Standard Profile Dimensions (Variations Available)			Corners Standard
	Single	Pair	Single Rabbet		Double Rabbet		Face	Stop	Returns	
			Min	Max	Min	Max				
FP14	4'-0" X 9'-0" (1219mm X 3150mm)	8'-0" X 9'-0" (2438mm X 3150mm)	n/a		5 3/4" (146mm)	10-3/4" (274mm)	2" (51mm)	5/8" (16mm)	1/2" * (13mm)	DIE MITERED with four (4) concealed tabs interlocking head and jambs
										SQUARE CUT for SUA Corner

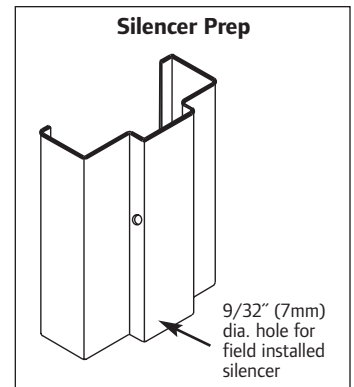
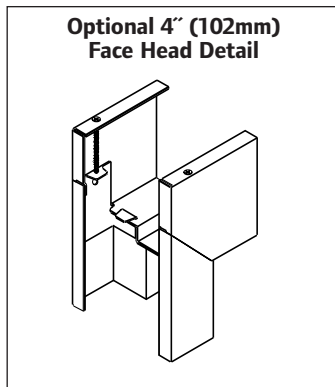
n/a = not available

\* except 5-3/4" (146mm) depth, which is 7/16" (11mm)



**GENERAL NOTES:**

1. Variations in jamb depths available in 1/8" (3mm) increments.
2. All FP Paladin™ Series Frames are supplied standard with masonry wire or lock-in jamb anchors and adjustable base anchors. Anchors are designed for maximum wall/frame engagement and installation flexibility.
3. FP Paladin Series Frames are to be installed as part of the framing sequence.
4. All frames are supplied with a factory applied baked-on primer for ultimate field paint adhesion.
5. Steelcraft provides Galvannealed steel for both interior and exterior applications.



**Frame Options**

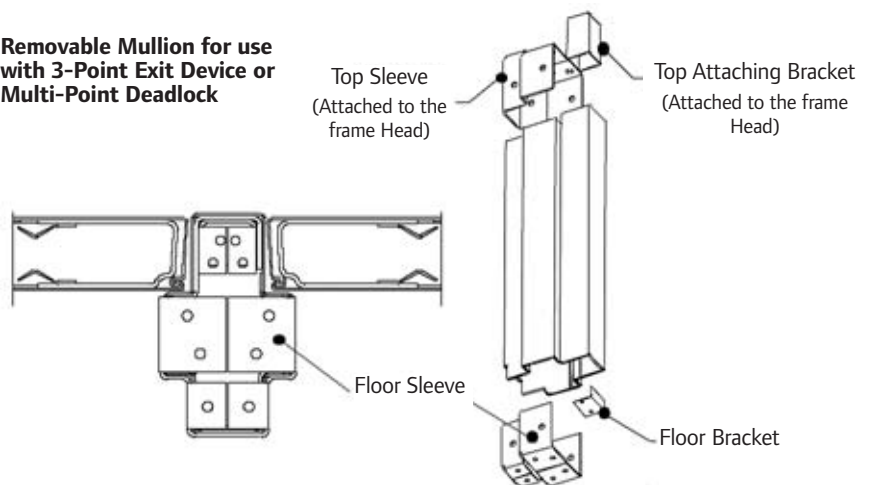
Series	Frame Profile		Corner Connections				4" (182mm) Heads
			HD (Knock-Down)		SUA (Up and Welded)		
	Single Rabbet	Double Rabbet	Single Rabbet	Double Rabbet	Single Rabbet	Double Rabbet	
FP14	n/a	Typically for walls 4-3/4" (121mm) thick or greater	n/a	4 tabs per factory die-miter	n/a	Available when specified, and in accordance with ANSI A250.8-2003 (SDI 100).	Die-mitered for use with 2" (51mm) face double rabbet jambs. Available when specified for KD or SUA applications.

**ANCHORING SYSTEMS**

See Anchoring Systems Sections in this manual for:

- Wire Masonry Anchors
- Existing Wall Anchors
- Adjustable Base Anchors

**Removable Mullion for use with 3-Point Exit Device or Multi-Point Deadlock**



**FRAMING APPLICATIONS**

Series	Steel Type	Building Type	Opening	KD <sup>1</sup> Corner	SUA Corner	Applications
FP14	Non-Galvanneal Galvannealed	Institutional and Commercial	Mainly Interior Exterior if Specified	X	X	Tornado Shelters in accordance with FEMA 361 or Safe Room

