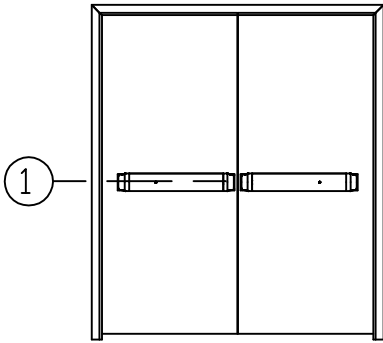
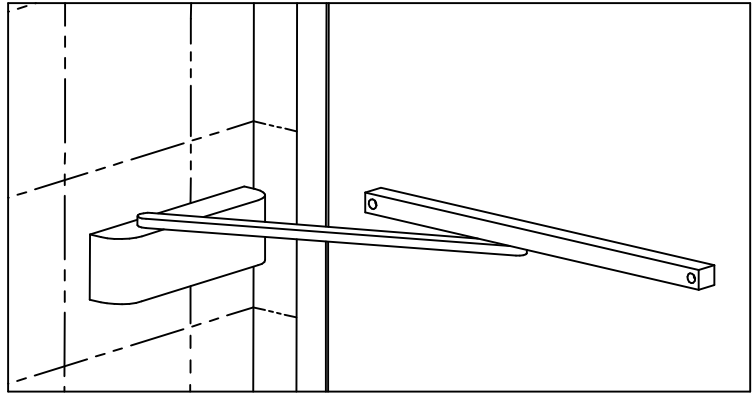
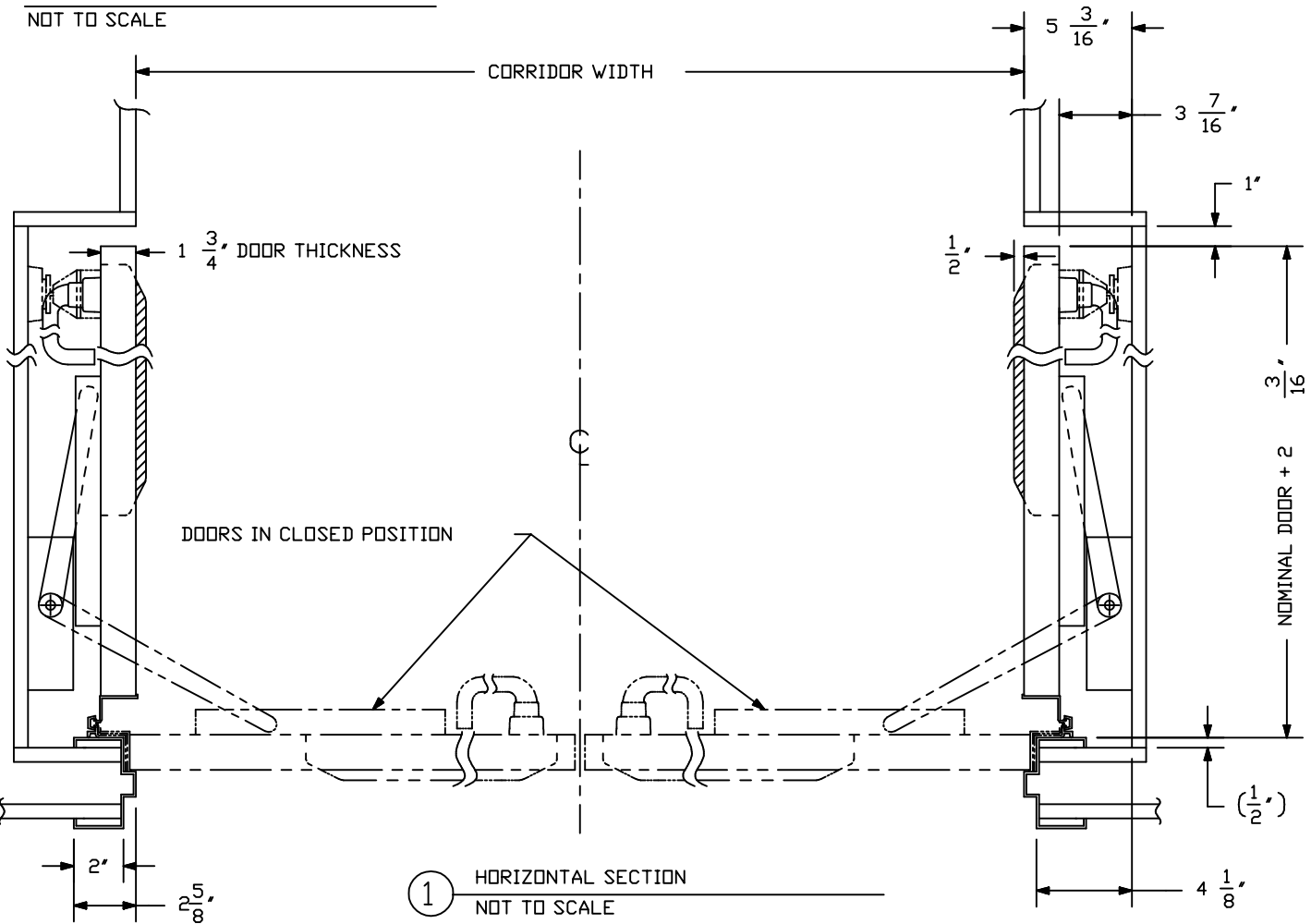


PLAN  
NOT TO SCALE



ELEVATION  
NOT TO SCALE

QTY	PRODUCT	MANUFACTURER
2	94/9547 SERIES RECESSED EXIT DEVICE	IR - VON DUPRIN
2	SL-41 HD CONTINUOUS HINGE	N/A
2	SEM 7850 MAGNET STANDARD PROFILE RECESSED WALL MOUNT	IR - LCN
2	4000T SERIES CLOSER	IR - LCN
2	LP373L CONTROL	IR - VON DUPRIN



**VON DUPRIN**  
 94/9547 DEVICE USED WITH SL-41HD CONTINUOUS HINGE, SEM 7850 MAGNET, 4000T SERIES CLOSER, AND LP373L CONTROL



NOTES:

APPLICATION NUMBER: APPL.9447\_0.PG5

DATE: 5-15-02