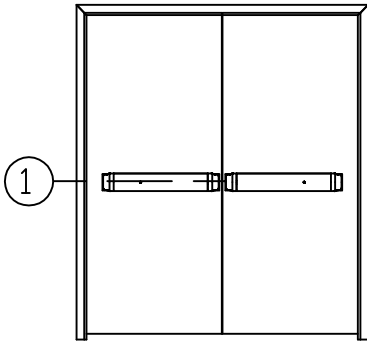
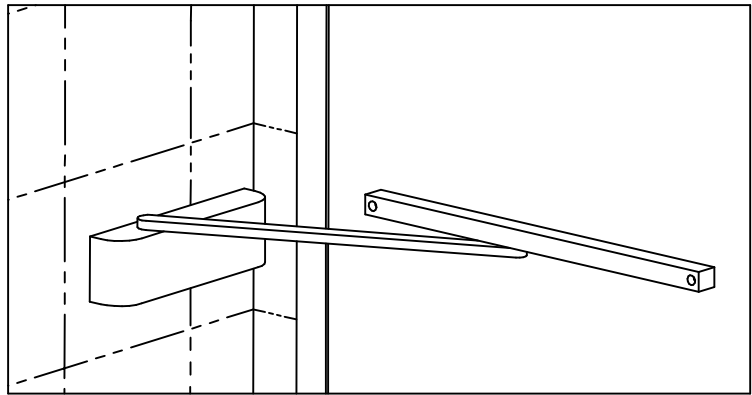
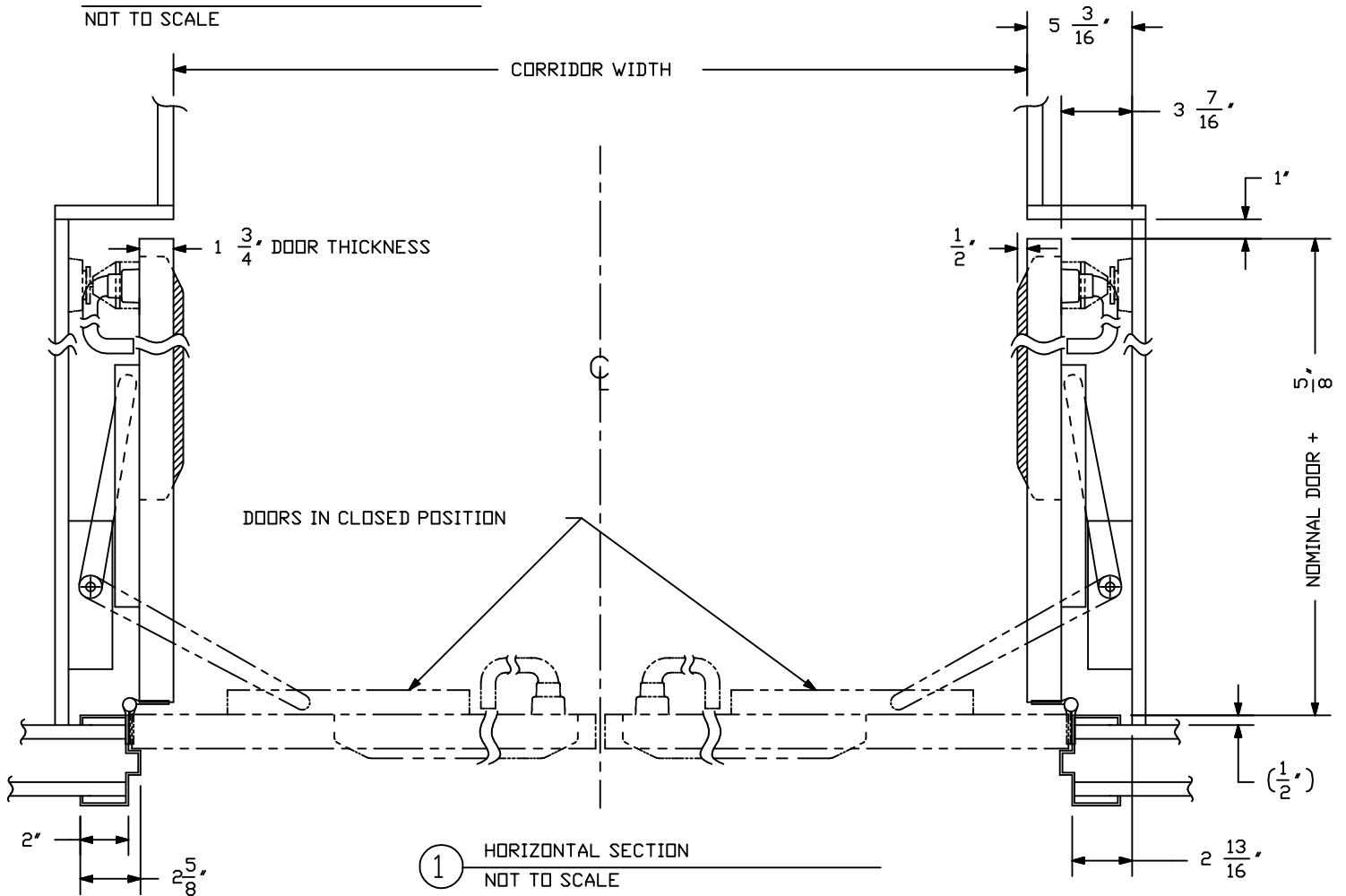


PLAN
NOT TO SCALE



ELEVATION
NOT TO SCALE

QTY	PRODUCT	MANUFACTURER
2	94/9547 SERIES RECESSED EXIT DEVICE	IR - VON DUPRIN
6	BB1168 BUTT HINGE	N/A
2	SEM 7850 MAGNET STANDARD PROFILE RECESSED WALL MOUNT	IR - LCN
2	4000T SERIES CLOSER	IR - LCN
2	LP373L CONTROL	IR - VON DUPRIN



VON DUPRIN
94/9547 DEVICE USED WITH BB1168 BUTT HINGE,
SEM 7850 MAGNET, 4000T SERIES CLOSER,
AND LP373L CONTROL



NOTES:

APPLICATION
NUMBER: APPL.9447_0.PG7

DATE:
5-15-02