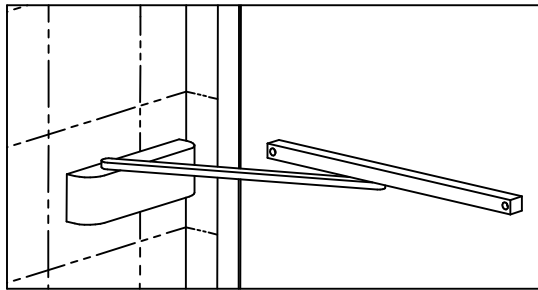
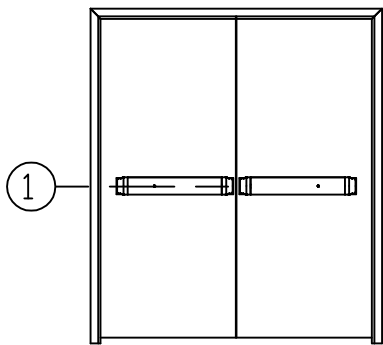


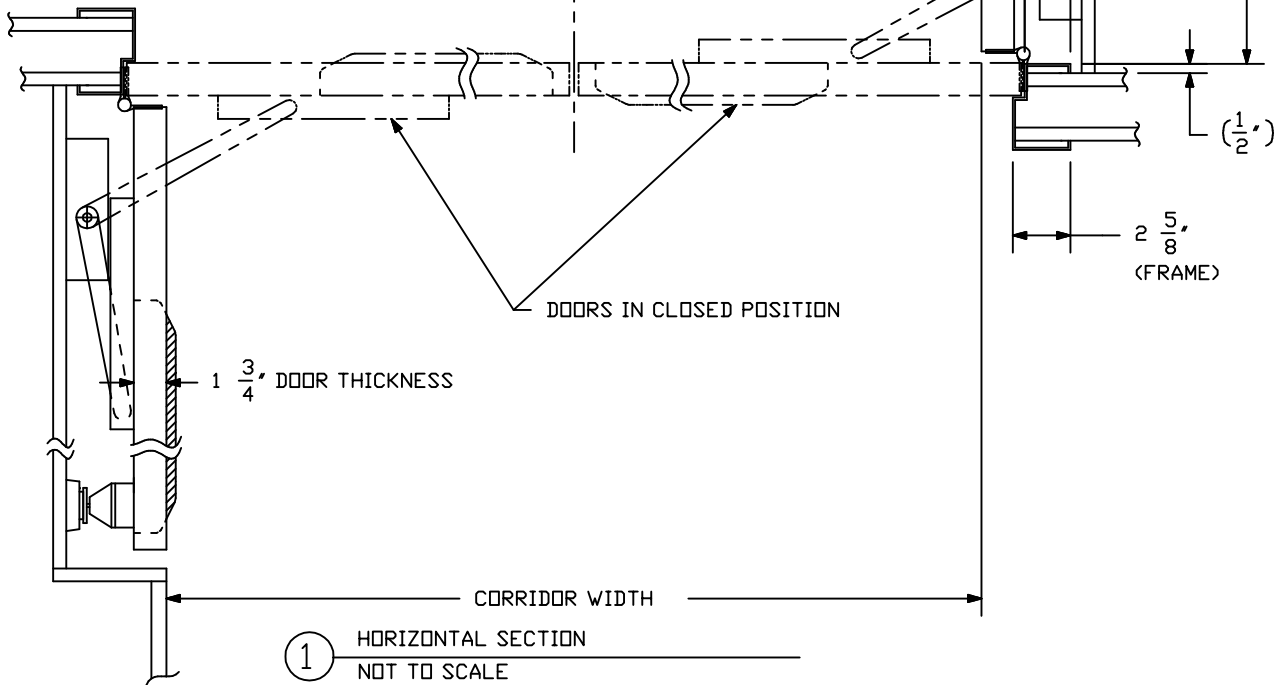
PLAN  
NOT TO SCALE



QTY	PRODUCT	MANUFACTURER
2	94/9547 SERIES RECESSED EXIT DEVICE	IR - VON DUPRIN
2	BB1168 BUTT HINGE	N/A
2	SEM 7850 MAGNET STANDARD PROFILE RECESSED WALL MOUNT	IR - LCN
2	4000T SERIES CLOSER	IR - LCN



ELEVATION  
NOT TO SCALE



**VON DUPRIN**  
 94/9547 DEVICE USED WITH BB1168 BUTT HINGE, SEM 7850 MAGNET, AND 4000T SERIES CLOSER (DOUBLE EGRESS)

NOTES:

**IR Security & Safety.**

APPLICATION NUMBER: APPL.9447\_0.PG8

DATE: 5-15-02